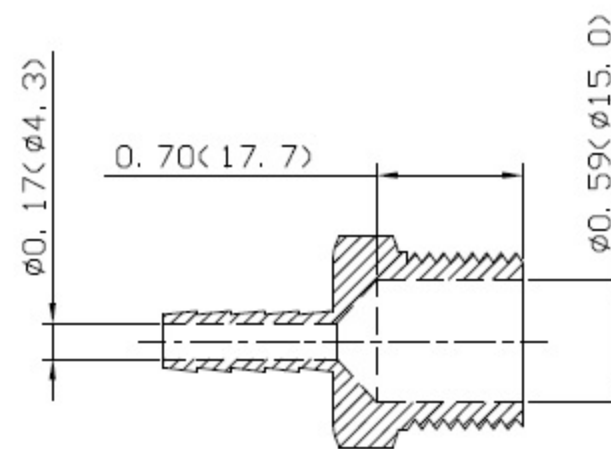
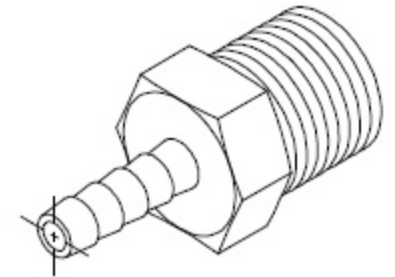
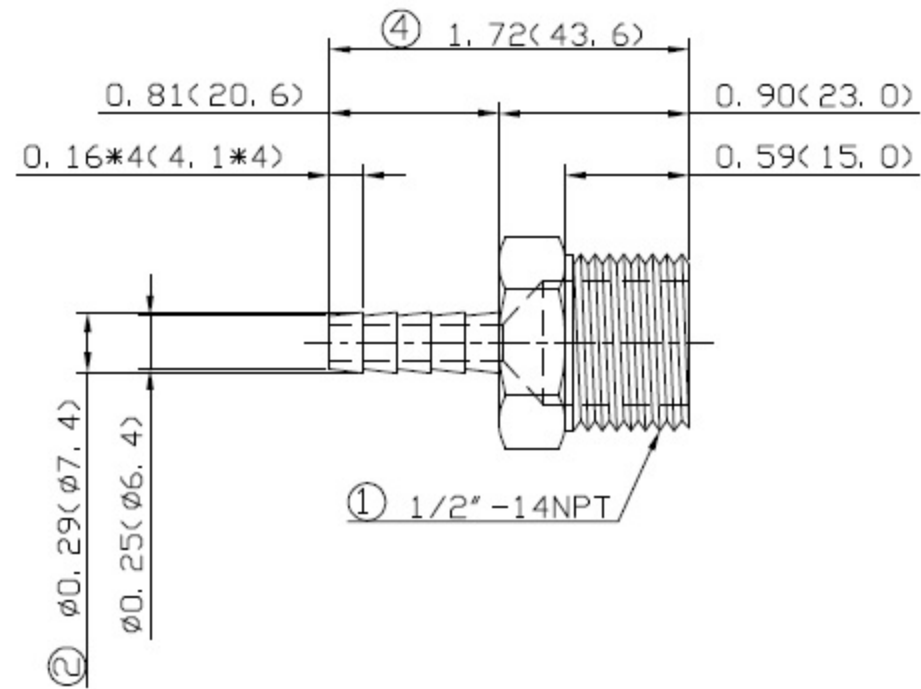
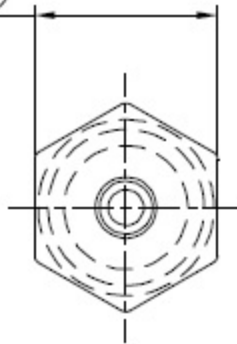


③ 7/8" (22.2)



①②③④ is the quality control point .

TOLERANCES ARE:

DECIMALS.

.X:±0.03

.XX:±0.01

.XXX:±0.005

ANGLES:±1°

FRACTIONS ± 1/8

PROPRIETARY AND CONFIDENTIAL

Description

1/4" Hose Barb x 1/2" Male NPT Adapter, Brass

THE INFORMATION CONTAINED IN THIS DRAWING IS THE SOLE PROPERTY OF INDUSTRIAL SPECIALTIES MFG. AND IS MED SPECIALITES. ANY REPRODUCTION IN PART OR AS A WHOLE WITHOUT THE WRITTEN PERMISSION OF INDUSTRIAL SPECIALTIES MFG. AND IS MED SPECIALITES IS PROHIBITED.

NAME

DATE

PART#

MBC-14-8M-B

REV

1

DRAWN BY:

M.E.

9.16.2020

SHEET 1 OF 1



Industrial Specialties Mfg.
IS Med Specialties