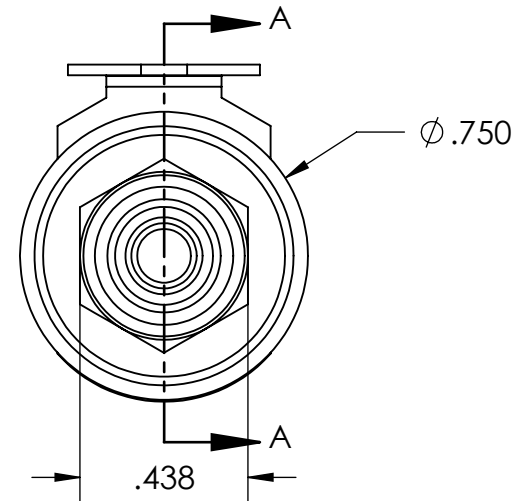
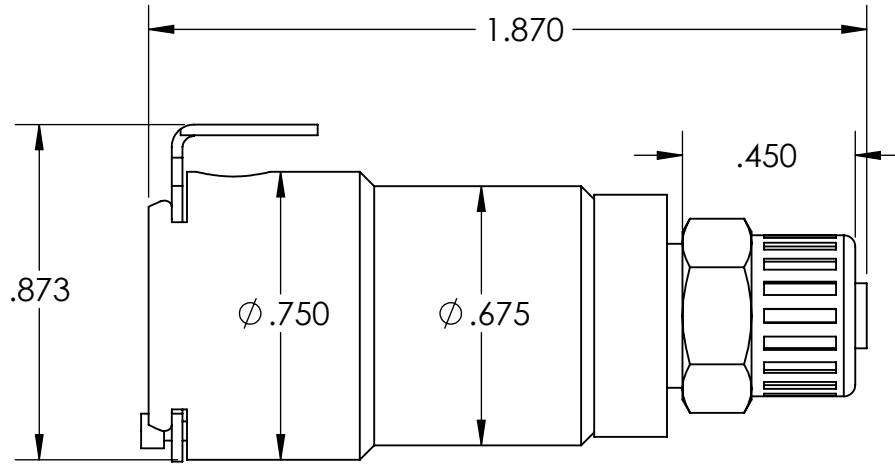
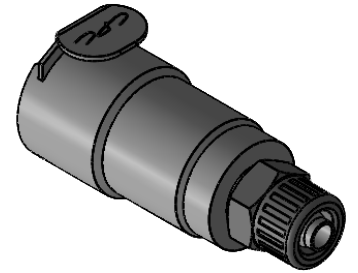
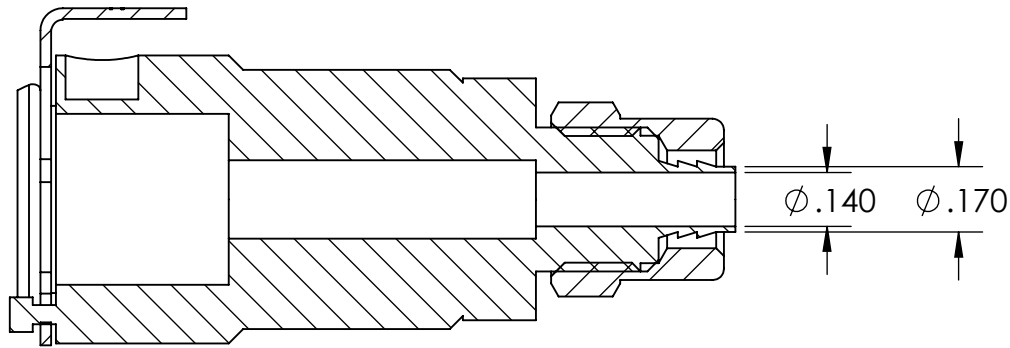


SECTION A-A



FOR REFERENCE ONLY

PROPRIETARY AND CONFIDENTIAL

**Description**

THE INFORMATION CONTAINED IN THIS DRAWING IS FOR REFERENCE ONLY AND REMAINS THE SOLE PROPERTY OF INDUSTRIAL SPECIALTIES MFG. AND IS MED SPECIALITES. ANY REPRODUCTION IN PART OR AS A WHOLE WITHOUT THE WRITTEN PERMISSION OF INDUSTRIAL SPECIALTIES MFG. AND IS MED SPECIALITES IS PROHIBITED.

1/4" Polytube Fitting, Valved Socket, 1/4" Flow, Buna-N Seals, Chrome Plated Brass

NAME	DATE
M.E.	12.27.2022

**PART#**  
LCD13004

**REV**  
1

SHEET 1 OF 1

SCALE: 2:1

DO NOT SCALE DRAWING  
All Dimensions are in Inches



industrialspec.com | 800-781-8486

5

4

3

2

1