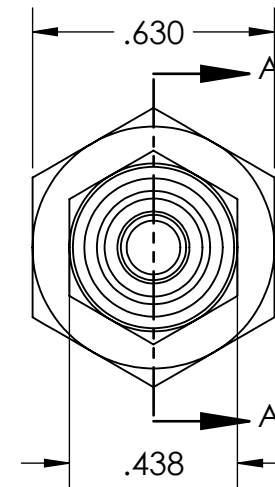
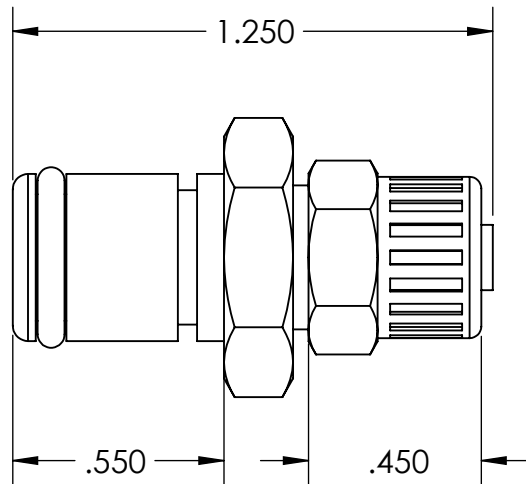
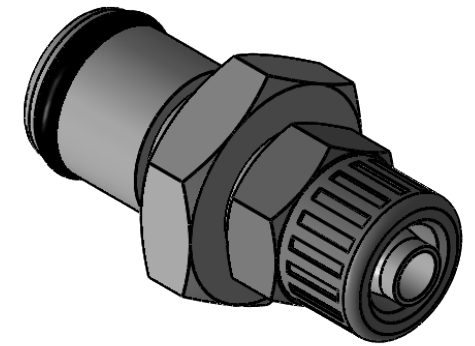


SECTION A-A



FOR REFERENCE ONLY

PROPRIETARY AND CONFIDENTIAL

Description

1/4" Polytube Fitting, Non-Valved Plug, 1/4" Flow, Buna-N Seals, Chrome Plated Brass

THE INFORMATION CONTAINED IN THIS DRAWING IS FOR REFERENCE ONLY AND REMAINS THE SOLE PROPERTY OF INDUSTRIAL SPECIALTIES MFG. AND IS MED SPECIALITES. ANY REPRODUCTION IN PART OR AS A WHOLE WITHOUT THE WRITTEN PERMISSION OF INDUSTRIAL SPECIALTIES MFG. AND IS MED SPECIALITES IS PROHIBITED.

NAME	DATE
M.E.	12.27.2022

PART#
LC20004

REV
1

SHEET 1 OF 1

SCALE: 2:1

DO NOT SCALE DRAWING
All Dimensions are in Inches



industrialspec.com | 800-781-8486

5

4

3

2

1