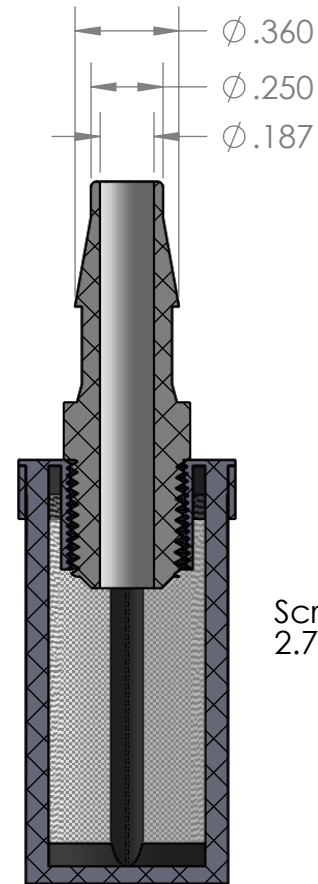
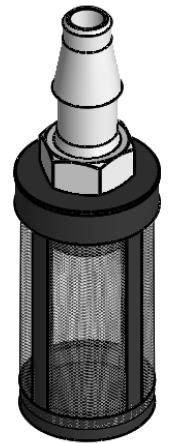


SECTION A-A
SCALE 1.5 : 1



Screen Surface Area:
2.7941 sq. in



PROPRIETARY AND CONFIDENTIAL

Description

THE INFORMATION CONTAINED IN THIS DRAWING IS THE SOLE PROPERTY OF INDUSTRIAL SPECIALTIES MFG. AND IS MED SPECIALITES. ANY REPRODUCTION IN PART OR AS A WHOLE WITHOUT THE WRITTEN PERMISSION OF INDUSTRIAL SPECIALTIES MFG. AND IS MED SPECIALITES IS PROHIBITED.

1/4" Hose Barb Suction Strainer,
150 Micron Screen, Nylon

NAME	DATE
M.E.	8/11/2016

PART#	ISFS-14-150-N	REV	1
--------------	---------------	-----	---

SHEET 1 OF 1

SCALE: 1:1

DO NOT SCALE DRAWING



Industrial Specialties Mfg.
IS Med Specialties
www.industrial-spec.com
800-781-8487