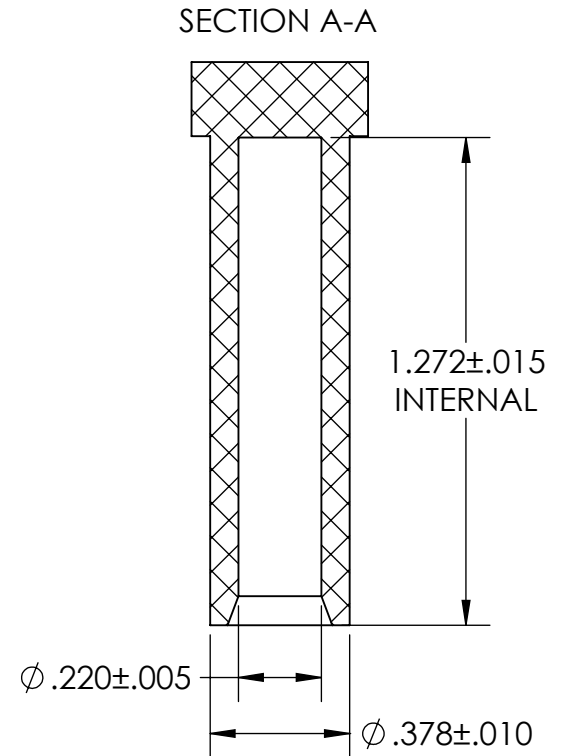
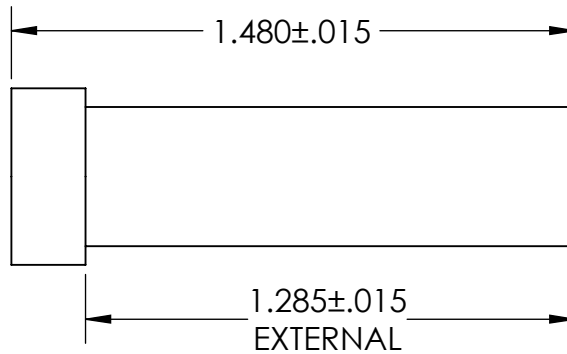
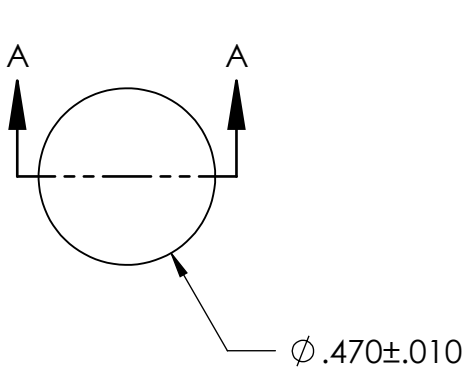
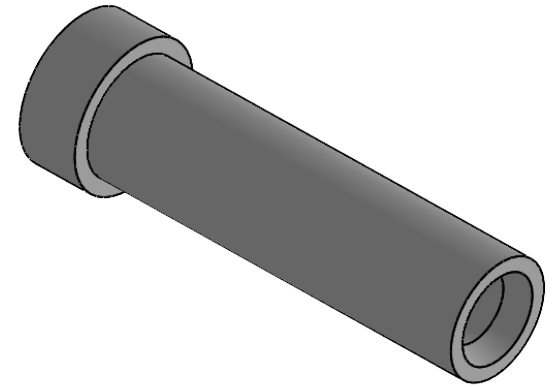


1. Material is Ultra-High Molecular Weight Polyethylene (UHMW-PE) from powder form.
2. Density is approximately 0.925 - 0.95 g/mL @ 25° C.
3. Bulk Density is approximately 0.24 - 0.36 g/cm³ @ 20° C.
4. Water insoluble.
5. Reactivity: Stable under normal conditions.
6. Incompatibility: Halogens, strong oxidizing agents, aromatic solvents.
7. TCSA: This product complies with U.S. Toxic Substance Control Act (TCSA).
8. Ignition Temperature: 350° C (662° F).

Drawn By:	
	Mila Krupiarz (ISM)
ISM Rep.:	
	Dave Neely
Supplier Rep.:	
	Paul Sims



PROPRIETARY AND CONFIDENTIAL

Description

40-micron Porous Filter

THE INFORMATION CONTAINED IN THIS DRAWING IS FOR REFERENCE ONLY AND REMAINS THE SOLE PROPERTY OF INDUSTRIAL SPECIALTIES MFG. AND IS MED SPECIALITES. ANY REPRODUCTION IN PART OR AS A WHOLE WITHOUT THE WRITTEN PERMISSION OF INDUSTRIAL SPECIALTIES MFG. AND IS MED SPECIALITES IS PROHIBITED.

NAME	DATE
M.K.	09.22.2022

PART#

ILCF-RF-40-A

REV
1

SHEET 1 OF 1

SCALE: 2:1

DO NOT SCALE DRAWING
All Dimensions are in Inches



industrialspec.com | 800-781-8486