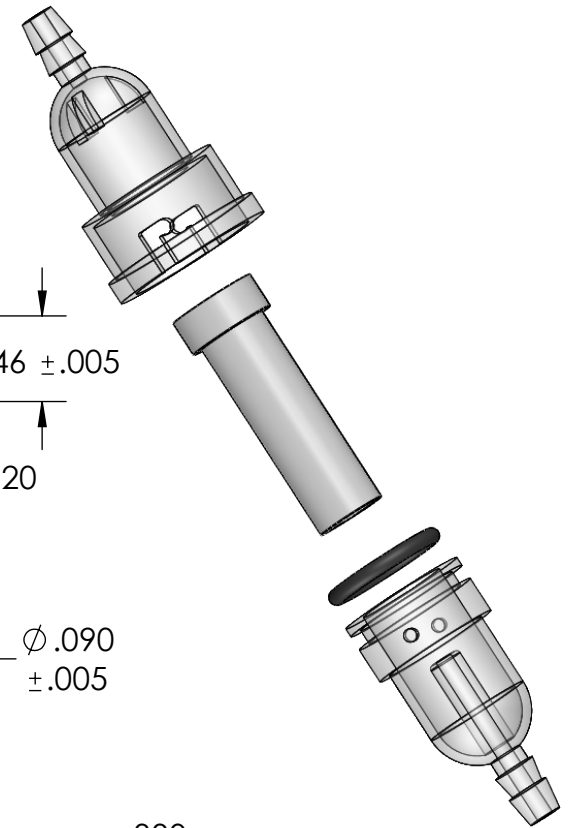
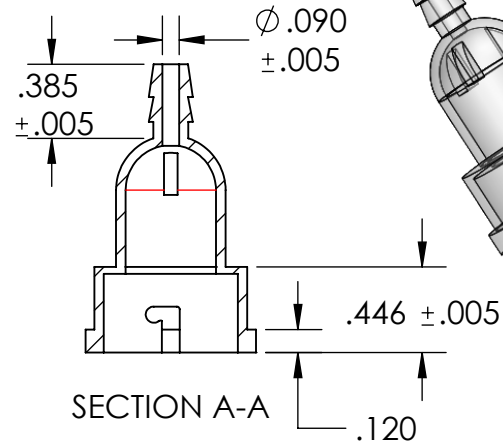
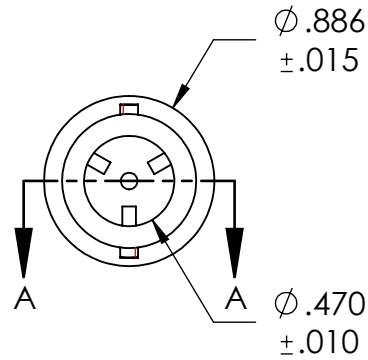
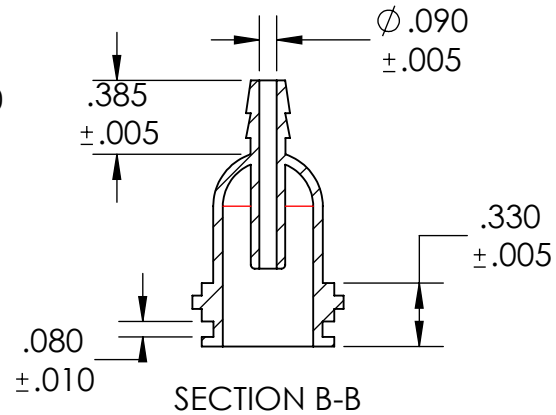
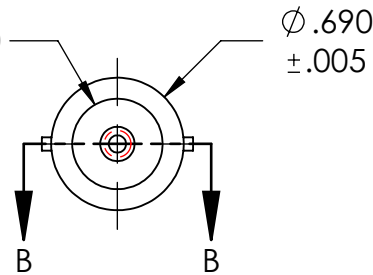
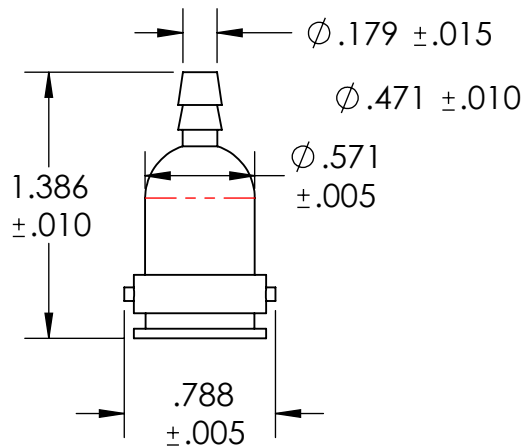


### Housing Top



### Housing Bottom



Note:  
Max. Pressure 40 psi  
Temp. Range 32°F to 130°F

**PROPRIETARY AND CONFIDENTIAL**

THE INFORMATION CONTAINED IN THIS DRAWING IS THE SOLE PROPERTY OF INDUSTRIAL SPECIALTIES MFG. AND IS MED SPECIALITES. ANY REPRODUCTION IN PART OR AS A WHOLE WITHOUT THE WRITTEN PERMISSION OF INDUSTRIAL SPECIALTIES MFG. AND IS MED SPECIALITES IS PROHIBITED.

UNLESS OTHERWISE SPECIFIED:

DIMENSIONS ARE IN INCHES  
TOLERANCES:  
FRACTIONAL ±  
ANGULAR: MACH ± BEND ±  
TWO PLACE DECIMAL ±  
THREE PLACE DECIMAL ±

MATERIAL  
Clear Polycarbonate

FINISH

DO NOT SCALE DRAWING

NAME DATE

DRAWN ME 10/8/2013

CHECKED

ENG APPR.

MFG APPR.

Q.A.

Comments:

40 micron Porous Polyethylene Element, Buna-N Seal

Replacement Element #ILCF-RF-40



**Industrial Specialties Mfg.**

**IS Med Specialties**

DESCRIPTION:  
1/8" Hose Barb Serviceable Filter

SIZE <b>A</b>	PART# ILCF-18-40P	REV 1
------------------	----------------------	----------

SCALE: 1:1

SHEET 1 OF 1