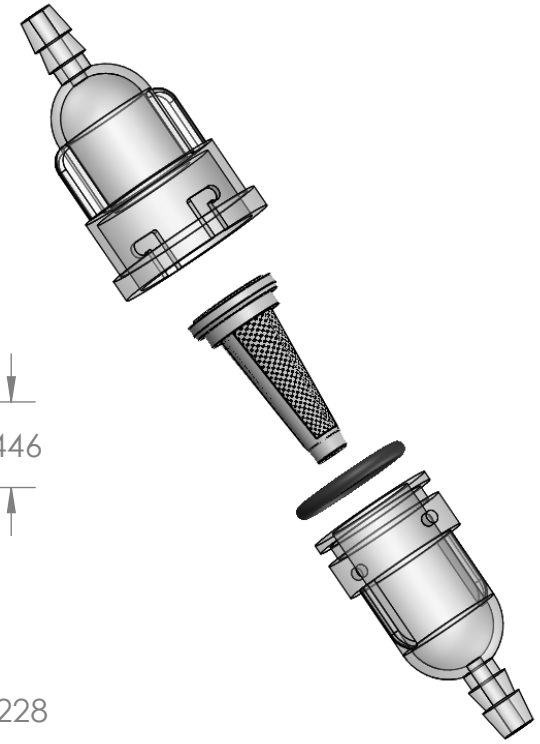
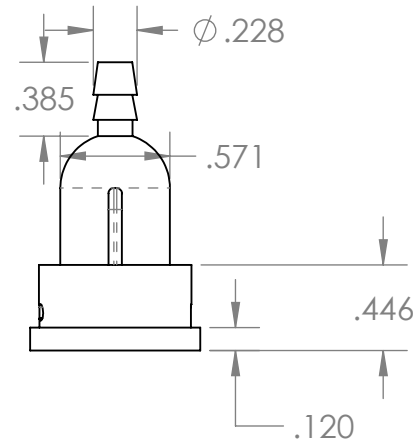
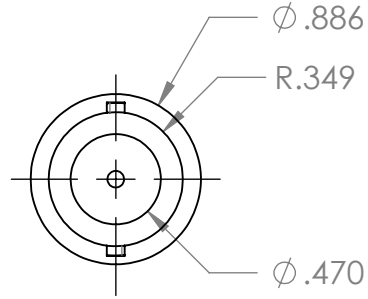
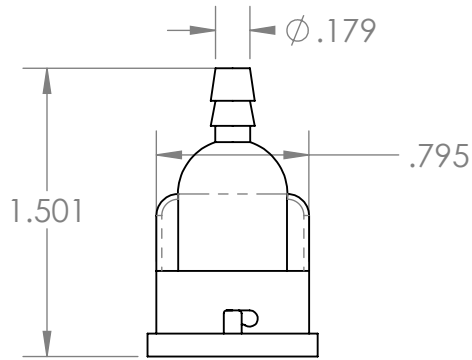
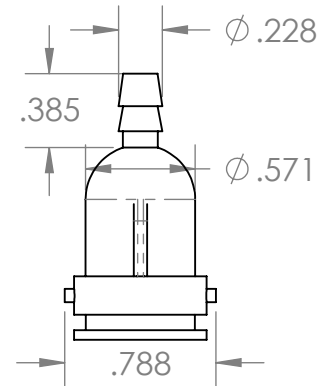
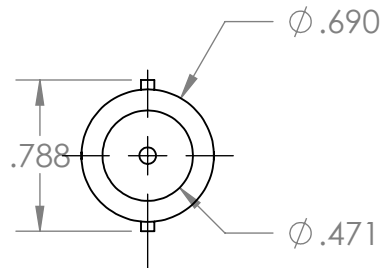
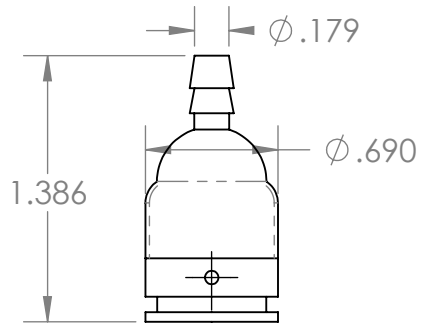


Housing Top



Housing Bottom



PROPRIETARY AND CONFIDENTIAL

THE INFORMATION CONTAINED IN THIS DRAWING IS THE SOLE PROPERTY OF INDUSTRIAL SPECIALTIES MFG. AND IS MED SPECIALITES. ANY REPRODUCTION IN PART OR AS A WHOLE WITHOUT THE WRITTEN PERMISSION OF INDUSTRIAL SPECIALTIES MFG. AND IS MED SPECIALITES IS PROHIBITED.

Note:
Max. Pressure 40 psi
Temp. Range 32°F to 130°F

UNLESS OTHERWISE SPECIFIED:

DIMENSIONS ARE IN INCHES
TOLERANCES:
FRACTIONAL ±
ANGULAR: MACH ± BEND ±
TWO PLACE DECIMAL ±
THREE PLACE DECIMAL ±

MATERIAL
Clear Polycarbonate
FINISH

DO NOT SCALE DRAWING

NAME DATE

DRAWN	ME	10/7/2013
CHECKED		
ENG APPR.		
MFG APPR.		
Q.A.		

Comments:
130 micron Element,
Natural Nylon Frame,
Polyester Screen, Buna-N
Seal
Replacement Element #68411



Industrial Specialties Mfg.
IS Med Specialties

DESCRIPTION:
1/8" Hose Barb Serviceable Filter

SIZE A	PART# ILCF-18-130	REV 1
------------------	----------------------	----------

SCALE: 1:1

SHEET 1 OF 1