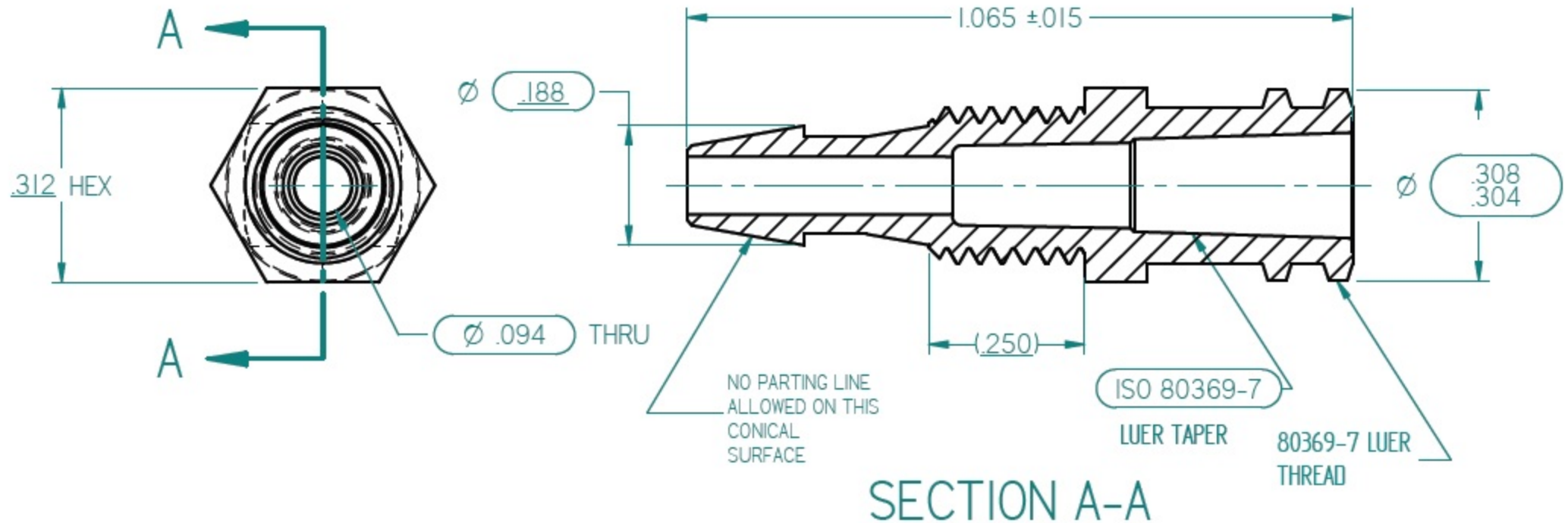



NOTES:

1. Critical to function dimensions are outlined.



REFERENCE ONLY

UNLESS OTHERWISE SPECIFIED
 DIMENSIONS ARE IN INCHES
 ANGLES ±1°
 2 PL ±0.01 3 PL ±0.005

| | | | | | | |
|--|---|--------------|--------------|--------------------|--|----------|
| PROPRIETARY AND CONFIDENTIAL | Description | DRAWN BY: | NAME M.E. | DATE 11.13.2020 | PART# ILB7-18-FLT-WN | REV 1 |
| THE INFORMATION CONTAINED IN THIS DRAWING IS THE SOLE PROPERTY OF INDUSTRIAL SPECIALTIES MFG. AND IS MED SPECIALITES. ANY REPRODUCTION IN PART OR AS A WHOLE WITHOUT THE WRITTEN PERMISSION OF INDUSTRIAL SPECIALTIES MFG. AND IS MED SPECIALITES IS PROHIBITED. | 1/8" Hose Barb x Female Luer Thread Panel Mount, 1/4-28 Panel Thread, Panel Mount Nut Included, Complies with ISO 80369-7, White Nylon | SHEET 1 OF 1 | | |  Industrial Specialties Mfg. IS Med Specialties | |