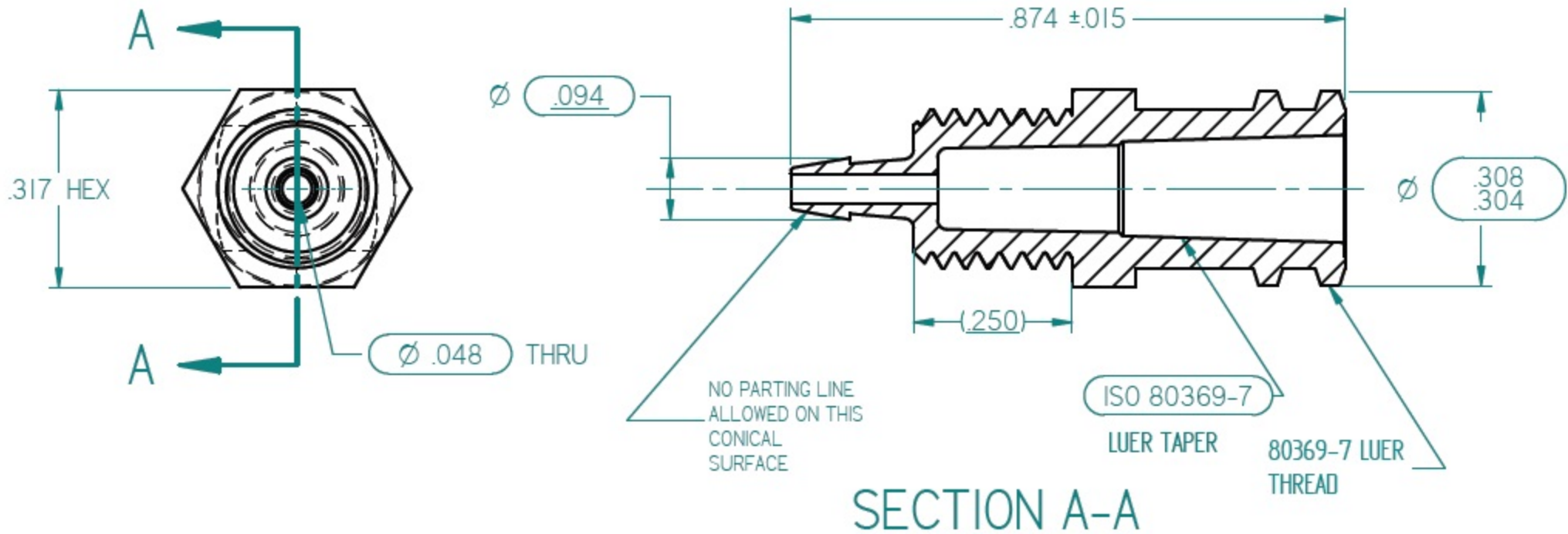



NOTES:

1. Critical to function dimensions are outlined.



REFERENCE ONLY

UNLESS OTHERWISE SPECIFIED
DIMENSIONS ARE IN INCHES
ANGLES ±1°
2 PL ±0.01 3 PL ±0.005

PROPRIETARY AND CONFIDENTIAL	Description	DRAWN BY:	NAME M.E.	DATE 11.13.2020	PART# ILB7-116-FLT-WN	REV 1
THE INFORMATION CONTAINED IN THIS DRAWING IS THE SOLE PROPERTY OF INDUSTRIAL SPECIALTIES MFG. AND IS MED SPECIALITES. ANY REPRODUCTION IN PART OR AS A WHOLE WITHOUT THE WRITTEN PERMISSION OF INDUSTRIAL SPECIALTIES MFG. AND IS MED SPECIALITES IS PROHIBITED.	1/16" Hose Barb x Female Luer Thread Panel Mount, 1/4-28 Panel Thread, Panel Mount Nut Included, Complies with ISO 80369-7, White Nylon	SHEET 1 OF 1			 Industrial Specialties Mfg. IS Med Specialties	