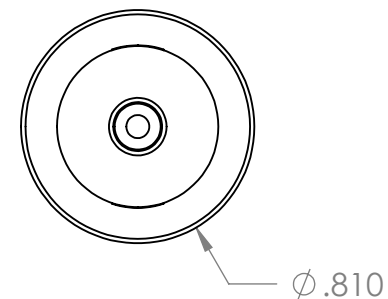
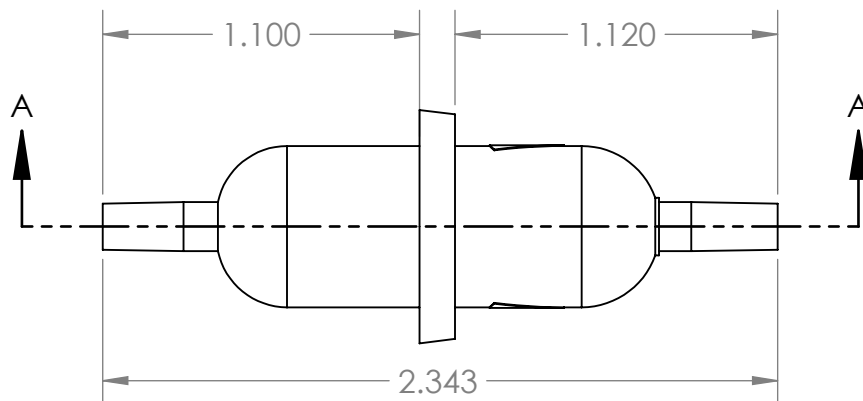
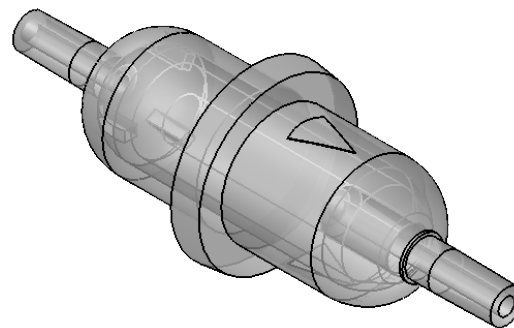


SECTION A-A
SCALE 1.5 : 1



PROPRIETARY AND CONFIDENTIAL

Description

THE INFORMATION CONTAINED IN THIS DRAWING IS THE SOLE PROPERTY OF INDUSTRIAL SPECIALTIES MFG. AND IS MED SPECIALITES. ANY REPRODUCTION IN PART OR AS A WHOLE WITHOUT THE WRITTEN PERMISSION OF INDUSTRIAL SPECIALTIES MFG. AND IS MED SPECIALITES IS PROHIBITED.

1/8" Smooth Shaft Inline Filter
25 Micron Porous Polyethylene,
Polypropylene Body

NAME	DATE
M.S.	05/06/2021

PART#	FT-18-25	REV	1
--------------	----------	-----	---

SHEET 1 OF 1

SCALE: 1.5:1

DO NOT SCALE DRAWING

ISM Industrial Specialties Mfg. & IS MED Specialites (ISM)
industrialspec.com | 800-781-8486