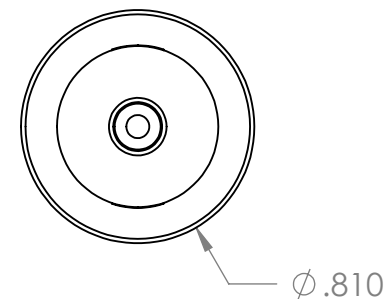
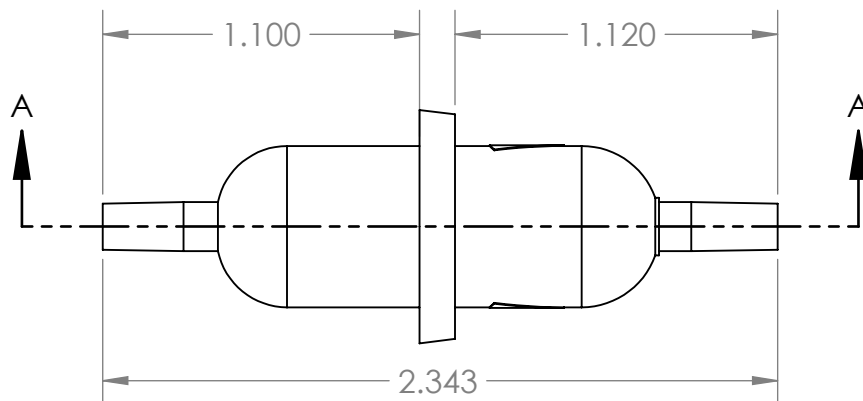
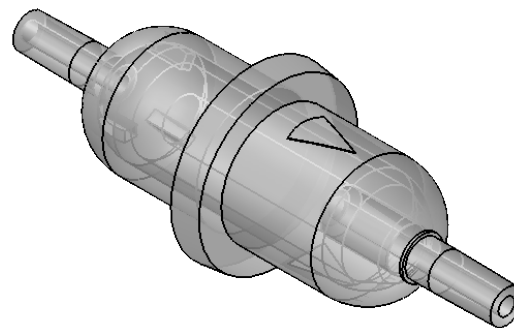


SECTION A-A
SCALE 1.5 : 1



PROPRIETARY AND CONFIDENTIAL

Description

THE INFORMATION CONTAINED IN THIS DRAWING IS THE SOLE PROPERTY OF INDUSTRIAL SPECIALTIES MFG. AND IS MED SPECIALITES. ANY REPRODUCTION IN PART OR AS A WHOLE WITHOUT THE WRITTEN PERMISSION OF INDUSTRIAL SPECIALTIES MFG. AND IS MED SPECIALITES IS PROHIBITED.

1/8" Smooth Shaft Inline Filter
10 Micron Porous Polyethylene,
Polypropylene Body

| | |
|------|------------|
| NAME | DATE |
| M.S. | 05/06/2021 |

| | | | |
|--------------|----------|-----|---|
| PART# | FT-18-10 | REV | 1 |
|--------------|----------|-----|---|

| |
|----------------------|
| SHEET 1 OF 1 |
| SCALE: 1.5:1 |
| DO NOT SCALE DRAWING |

ISM Industrial Specialties Mfg. & IS MED Specialites (ISM)
industrialspec.com | 800-781-8486