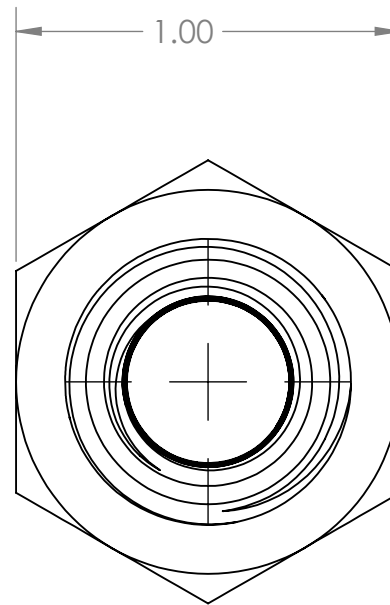
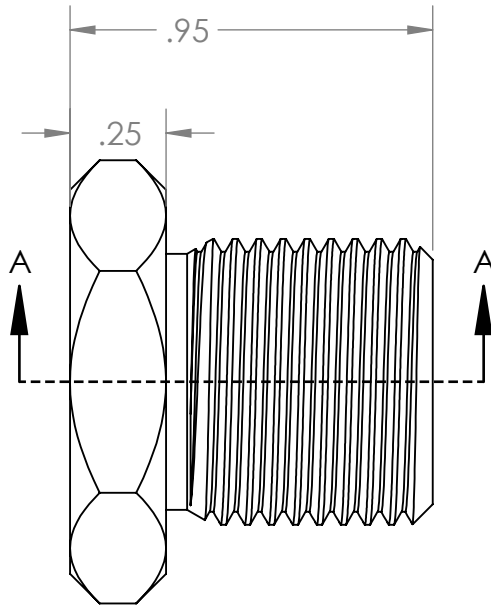
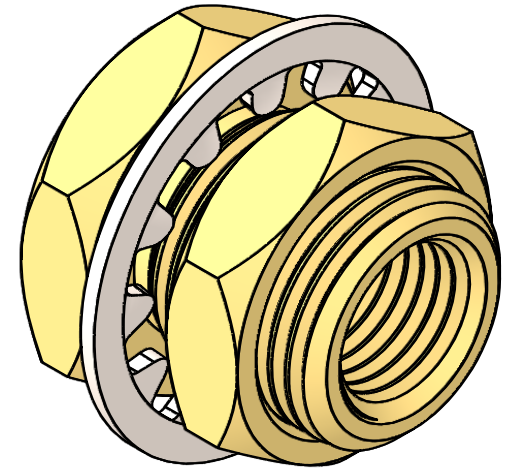


SECTION A-A



FOR REFERENCE ONLY

*NOTE: ACTUAL SIZE AND CONFIGURATION OF INCLUDED HEX NUT AND LOCK WASHER ARE BASED ON SUPPLIER AVAILABILITY AND MAY BE SUBJECT TO CHANGE WITHOUT NOTICE

PROPRIETARY AND CONFIDENTIAL

Description

1/4" Female NPT x 3/4-16 UNS Panel Mount Brass Hex Nut and Lock Washer Included*

THE INFORMATION CONTAINED IN THIS DRAWING IS FOR REFERENCE ONLY AND REMAINS THE SOLE PROPERTY OF INDUSTRIAL SPECIALTIES MFG. AND IS MED SPECIALITES. ANY REPRODUCTION IN PART OR AS A WHOLE WITHOUT THE WRITTEN PERMISSION OF INDUSTRIAL SPECIALTIES MFG. AND IS MED SPECIALITES IS PROHIBITED.

NAME	DATE
J.L.	12.12.2025

PART#

FBH-4-MD-B

REV
2

SHEET 1 OF 1

SCALE: 2:1

DO NOT SCALE DRAWING
All Dimensions are in Inches

ISM Industrial Specialties Mfg. & IS Med Specialties

industrialspec.com | 720-729-2202