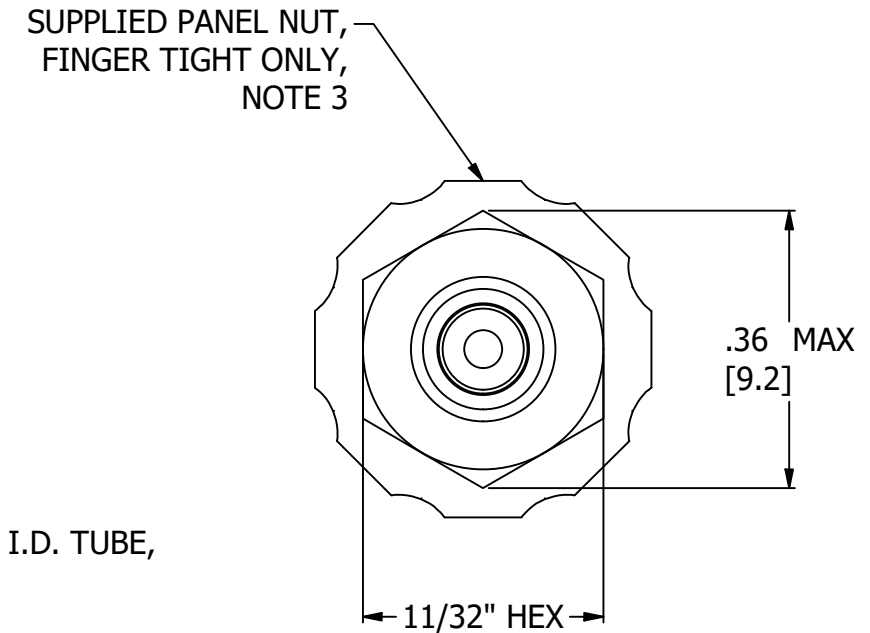
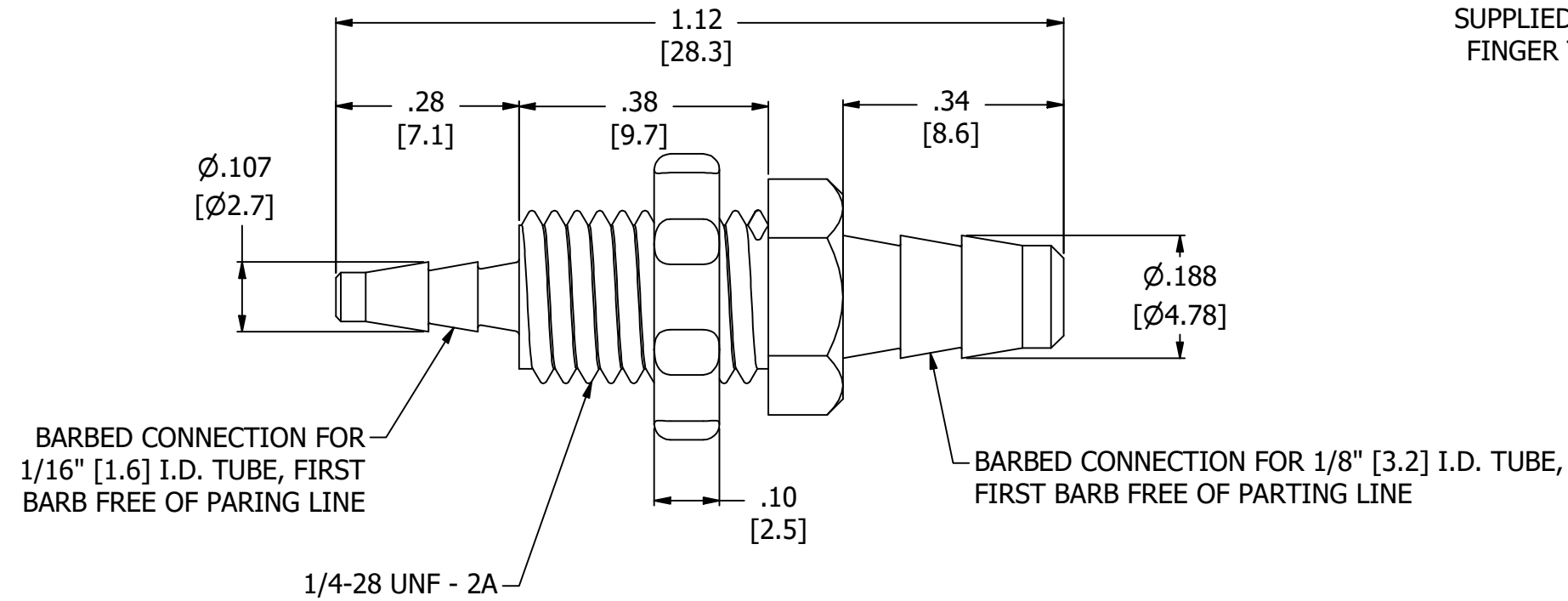
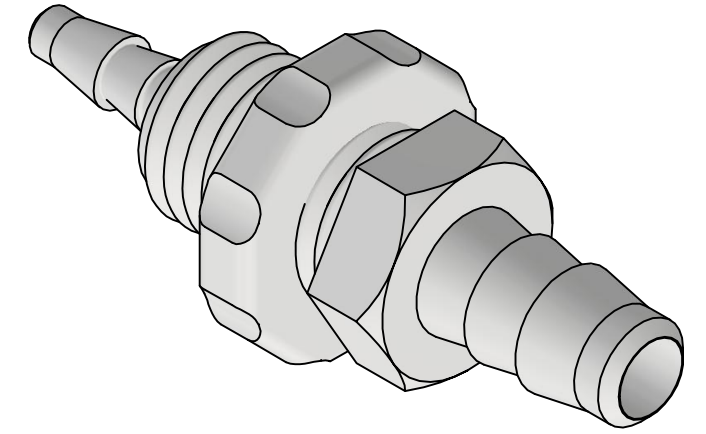



- NOTES:  
 1. ALL DIMENSIONS FOR REFERENCE ONLY  
 2. TUBE RETENTION PRESSURE SUBJECT TO TUBING DIMENSION AND STIFFNESS  
 3. PANEL NUT UNASSEMBLED AS DELIVERED



PRODUCT SPECIFICATIONS	
COLOR	NATURAL
MEDIA	GASES, LIQUIDS
MAX INLET PRESSURE	125 PSI, [8.6 BAR]
TYPICAL TUBE RETENTION PRESSURE	125 PSI, [8.6 BAR], NOTE 2
CLEARANCE HOLE	9/32"
MINIMUM INNER DIAMETER	$\phi .050$ [ $\phi 1.27$ ]
WETTED MATERIALS	PVDF

 <b>AIR-LOGIC</b> @ DIVISION OF KNAPP MFG, INC. 5102 DOUGLAS AVE RACINE, WI 53402 PHONE: (262) 639-9035 FAX: (262) 639-5996 WEB: AIR-LOGIC.COM		<b>TERMS OF USE:</b> THIS DRAWING IS FOR INFORMATIONAL PURPOSES ONLY. AIR LOGIC MAKES NO REPRESENTATIONS OF WARRANTIES CONCERNING SUITABILITY FOR ANY PARTICULAR PURPOSE. ALL PRODUCTS SUPPLIED ARE SUBJECT TO TERMS AND CONDITIONS FOUND AT AIR-LOGIC.COM
PART/DRAWING NO.: <h2>F310070PVDF</h2>		
DESCRIPTION: PVDF BULKHEAD, 1/4-28 UNF, 1/8 X 1/16" BARBS		DRAWING TAKES PRECEDENCE OVER 3D MODEL GEOMETRY  TOLERANCE: DECIMALS .00 ± .01, .000 ± .005, FRACTIONS ± 1/64 ANGLES 1/4° UNLESS OTHERWISE SPECIFIED UNITS: INCHES [MILLIMETERS]
REVISION: A	DRAWN: 9/10/2025	
SCALE: 4 : 1	SHEET SIZE: B	