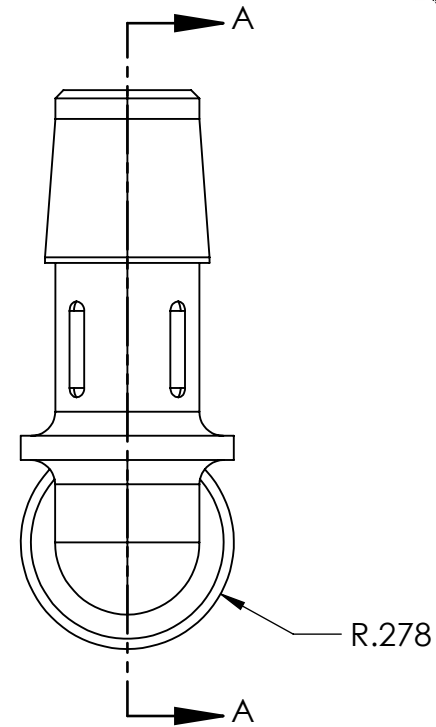
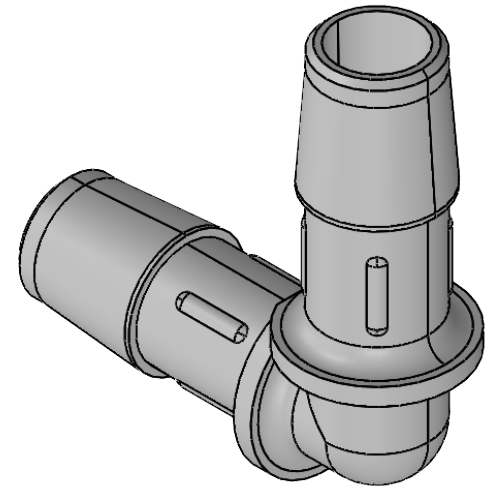


SECTION A-A



FOR REFERENCE ONLY

PROPRIETARY AND CONFIDENTIAL

**Description**

THE INFORMATION CONTAINED IN THIS DRAWING IS FOR REFERENCE ONLY AND REMAINS THE SOLE PROPERTY OF INDUSTRIAL SPECIALTIES MFG. AND IS MED SPECIALITES. ANY REPRODUCTION IN PART OR AS A WHOLE WITHOUT THE WRITTEN PERMISSION OF INDUSTRIAL SPECIALTIES MFG. AND IS MED SPECIALITES IS PROHIBITED.

3/8" Hose Barb Elbow, Natural Nylon

NAME	DATE
M.K.	01.22.2022

**PART#**

EUBJ-38-N

REV  
1

SHEET 1 OF 1

SCALE: 2:1

DO NOT SCALE DRAWING  
All Dimensions are in Inches

**ISM** Industrial Specialties Mfg.  
& IS Med Specialties

industrialspec.com | 720-729-2202