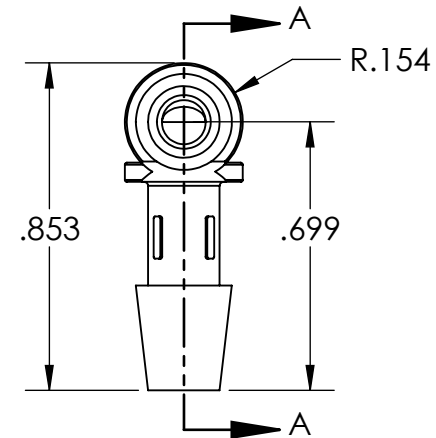
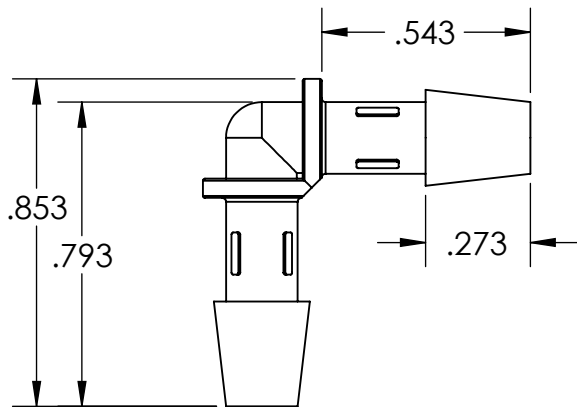


SECTION A-A



FOR REFERENCE ONLY

<p>PROPRIETARY AND CONFIDENTIAL</p>	<p><b>Description</b></p>	<p>NAME</p>	<p>DATE</p>	<p><b>PART#</b></p>	<p>REV</p>
<p>THE INFORMATION CONTAINED IN THIS DRAWING IS FOR REFERENCE ONLY AND REMAINS THE SOLE PROPERTY OF INDUSTRIAL SPECIALTIES MFG. AND IS MED SPECIALITES. ANY REPRODUCTION IN PART OR AS A WHOLE WITHOUT THE WRITTEN PERMISSION OF INDUSTRIAL SPECIALTIES MFG. AND IS MED SPECIALITES IS PROHIBITED.</p>	<p>3/16" Hose Barb Elbow, Natural Nylon</p>	<p>DRAWN BY: M.E.</p>	<p>1.10.2023</p>	<p>EUBJ-316-N</p>	<p>1</p>
		<p>SHEET 1 OF 1</p>		<p><b>ISM</b> Industrial Specialties Mfg. &amp; IS MED Specialites (ISM)  <a href="http://industrialspec.com">industrialspec.com</a>   800-781-8486</p>	
		<p>SCALE: 2:1</p>			
		<p>DO NOT SCALE DRAWING          All Dimensions are in Inches</p>			