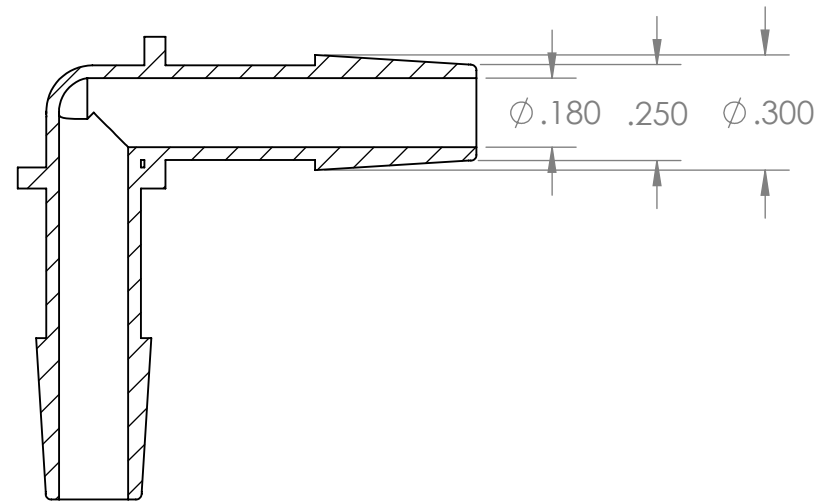
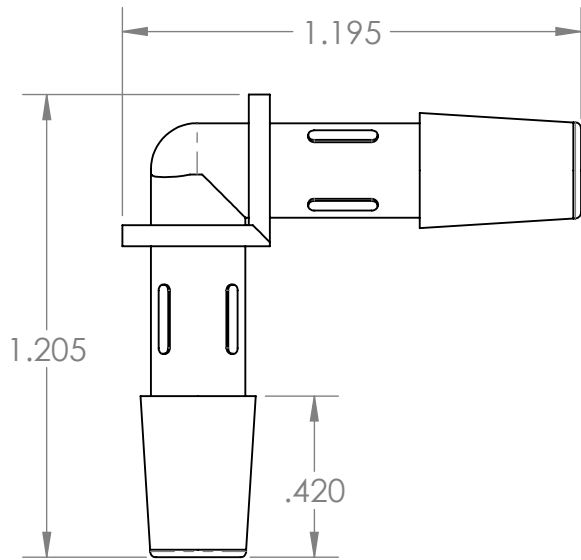


SECTION A-A



PROPRIETARY AND CONFIDENTIAL

THE INFORMATION CONTAINED IN THIS DRAWING IS THE SOLE PROPERTY OF INDUSTRIAL SPECIALTIES MFG. AND IS MED SPECIALITES. ANY REPRODUCTION IN PART OR AS A WHOLE WITHOUT THE WRITTEN PERMISSION OF INDUSTRIAL SPECIALTIES MFG. AND IS MED SPECIALITES IS PROHIBITED.

UNLESS OTHERWISE SPECIFIED:

DIMENSIONS ARE IN INCHES  
 TOLERANCES:  
 FRACTIONAL ±  
 ANGULAR: MACH ± BEND ±  
 TWO PLACE DECIMAL ±  
 THREE PLACE DECIMAL ±

MATERIAL  
 Black Glass-Filled Nylon

FINISH

DO NOT SCALE DRAWING

NAME DATE

DRAWN ME 10/21/13

CHECKED

ENG APPR.

MFG APPR.

Q.A.

Comments:

Automotive Grade Materials



**Industrial Specialties Mfg.**

**IS Med Specialties**

DESCRIPTION:

1/4" Hose Barb Union Elbow

SIZE

**A**

PART#

EUBJ-14-BGFN

REV

1

SCALE: 2:1

SHEET 1 OF 1