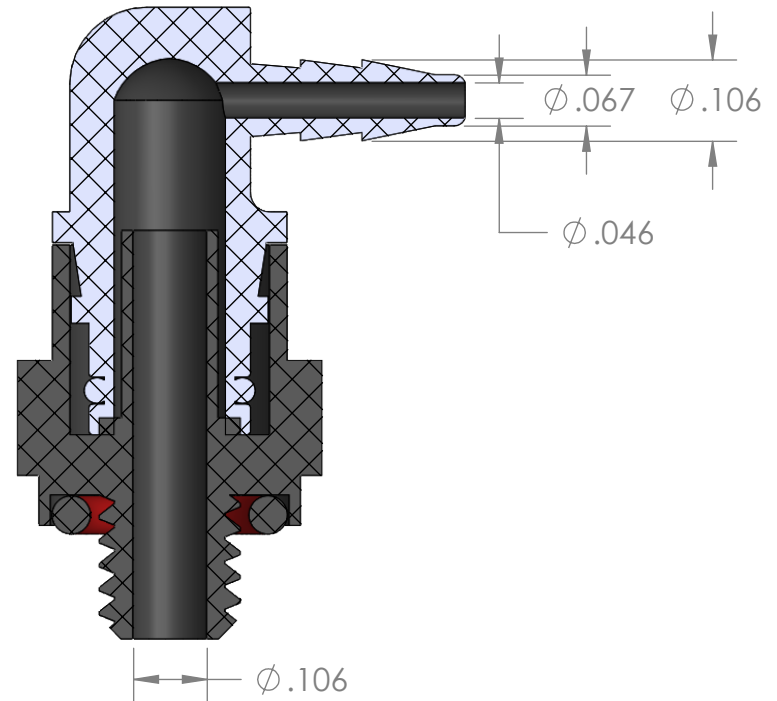


SECTION A-A



PROPRIETARY AND CONFIDENTIAL

Description

THE INFORMATION CONTAINED IN THIS DRAWING IS THE SOLE PROPERTY OF INDUSTRIAL SPECIALTIES MFG. AND IS MED SPECIALITES. ANY REPRODUCTION IN PART OR AS A WHOLE WITHOUT THE WRITTEN PERMISSION OF INDUSTRIAL SPECIALTIES MFG. AND IS MED SPECIALITES IS PROHIBITED.

1/16" Hose Barb x 10-32 Male UNF Swivel Elbow, EPDM Captive O-ring, Black Nylon

NAME	DATE
M.E.	6.18.2021
DRAWN BY:	
SHEET 1 OF 1	
SCALE: 4:1	
DO NOT SCALE DRAWING	

PART#	REV
EMXO-116-1032M-EPDM-BN	1


Industrial Specialties Mfg.
IS Med Specialties
www.industrialspec.com
 800-781-8487