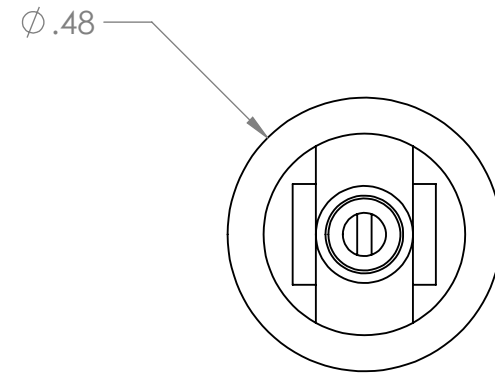
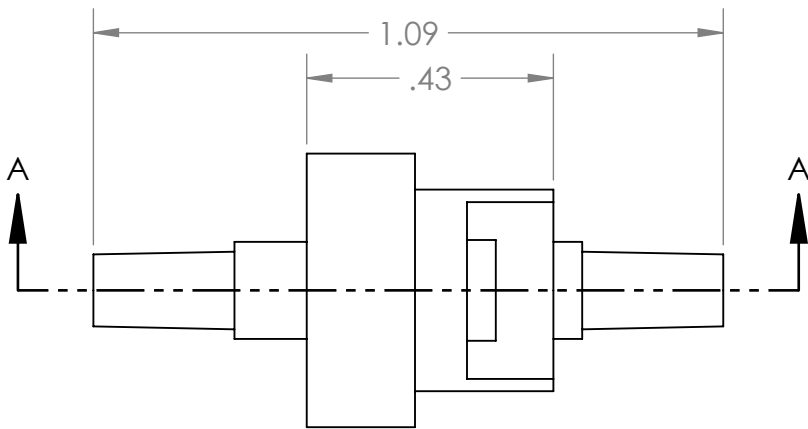
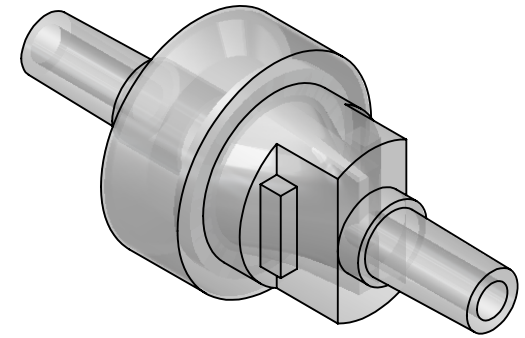


SECTION A-A



FOR REFERENCE ONLY

PROPRIETARY AND CONFIDENTIAL

**Description**

THE INFORMATION CONTAINED IN THIS DRAWING IS FOR REFERENCE ONLY AND REMAINS THE SOLE PROPERTY OF INDUSTRIAL SPECIALTIES MFG. AND IS MED SPECIALITES. ANY REPRODUCTION IN PART OR AS A WHOLE WITHOUT THE WRITTEN PERMISSION OF INDUSTRIAL SPECIALTIES MFG. AND IS MED SPECIALITES IS PROHIBITED.

1/8" NON-BARBED DUCKBILL CHECK VALVE,  
SILICONE DUCKBILL, ACRYLIC HOUSING

NAME	DATE
K.P.	7/9/25

**PART#**  
CVT-18VL

REV  
1

SHEET 1 OF 1

SCALE: 3:1

DO NOT SCALE DRAWING  
All Dimensions are in Inches

**ISM** Industrial Specialties Mfg.  
& IS Med Specialties

industrialspec.com | 720-729-2202