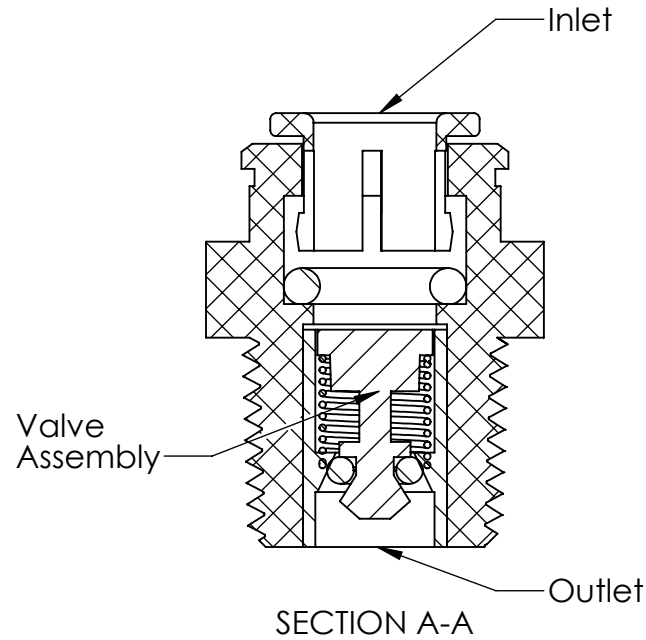
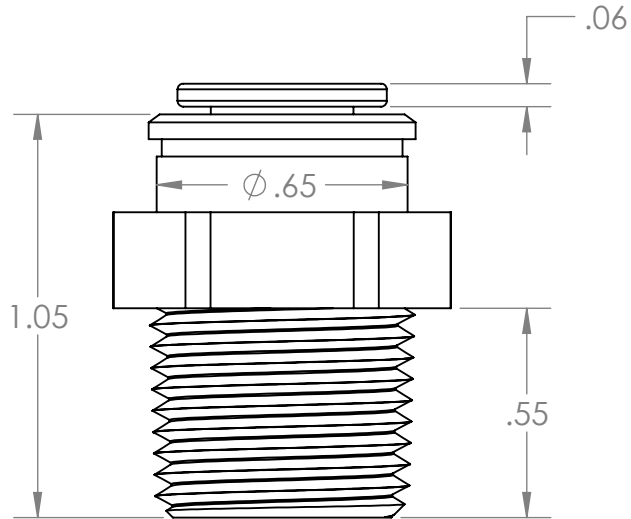
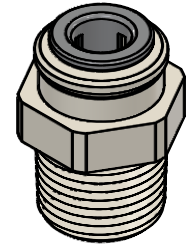
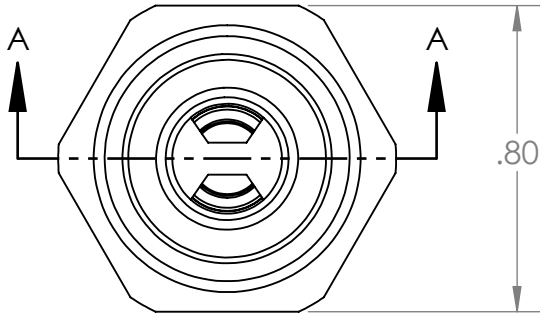


REVISIONS		
REV. 2	Added updated Title Block, Spring Tolerance and Max Operating Pressure	2.3.2026



FOR REFERENCE ONLY

NOTE:
50 psi Max Pressure
Spring Tolerance $\pm 30\%$

PROPRIETARY AND CONFIDENTIAL	Description	NAME	DATE	PART#	REV	
The information contained in this drawing is for reference only and remains the sole property of Industrial Specialties Mfg, Inc and IS Med Specialties (collectively "ISM"). Any reproduction in part or as a whole without the written permission of ISM is prohibited.	5/16" Push-In x 3/8" Male NPT Check Valve, 1 psi Cracking Pressure, Buna-N Seals, Flow from Push-In to Thread, Gray Acetal	DRAWN BY:	M.E.	2.3.2026	CVQCS-516-6M-BU-1#	2
		SHEET 1 OF 1			 industrial-spec.com 720-729-2202	
		SCALE: 2:1				
		DO NOT SCALE DRAWING All Dimensions are in Inches				