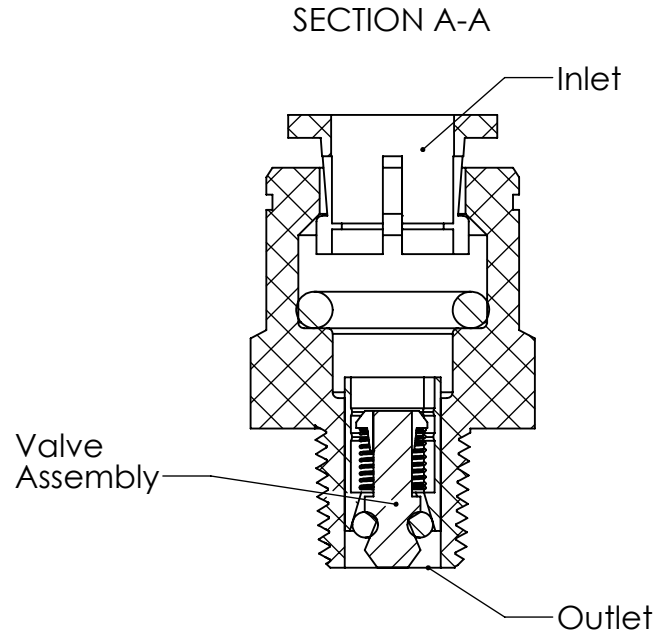
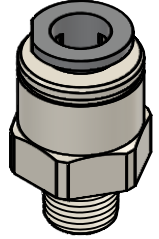
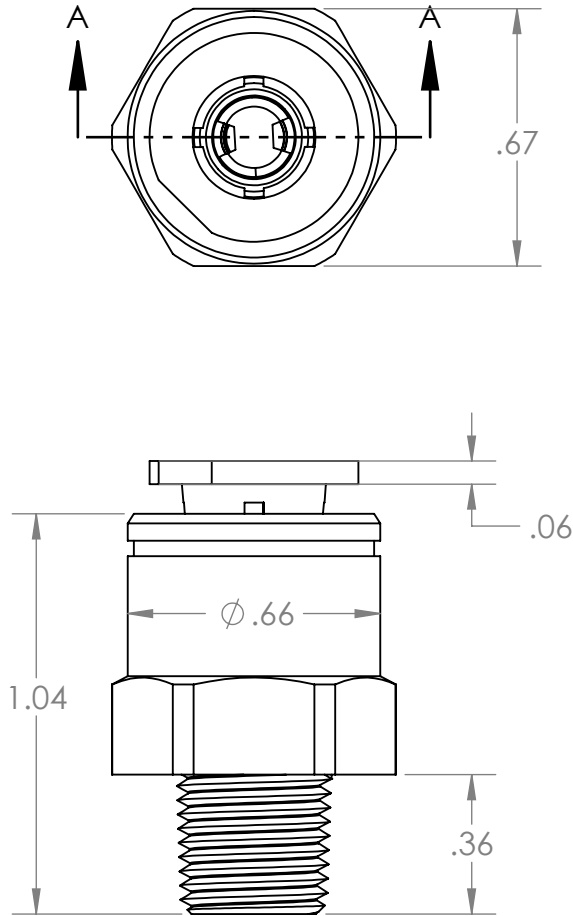



| REVISIONS |  |           |
|-----------|--|-----------|
| REV. 2    | Added updated Title Block, Spring Tolerance and Max Operating Pressure | 1.26.2026 |



**NOTE:**

**25 psi Max Pressure  
Spring Tolerance ± 30%**

FOR REFERENCE ONLY

|  |  |  |           |   |          |
|--|--|--|-----------|---|----------|
| <b>PROPRIETARY AND CONFIDENTIAL</b><br>The information contained in this drawing is for reference only and remains the sole property of Industrial Specialties Mfg, Inc and IS Med Specialties (collectively "ISM"). Any reproduction in part or as a whole without the written permission of ISM is prohibited. | <b>Description</b><br>5/16" Push-In x 1/8" Male NPT Check Valve, 1psi Cracking Pressure, Buna-N Seals, Flow from Push to Thread, Gray Acetal | NAME   | DATE      | <b>PART#</b><br>CVQCS-516-2M-BU-1#  | REV<br>2 |
|  |  | DRAWN BY: M.E.                                       | 1.26.2026 |   |          |
|  |  | SHEET 1 OF 1   |           |  |          |
|  |  | SCALE: 2:1   |           |   |          |
|  |  | DO NOT SCALE DRAWING<br>All Dimensions are in Inches |           |   |          |