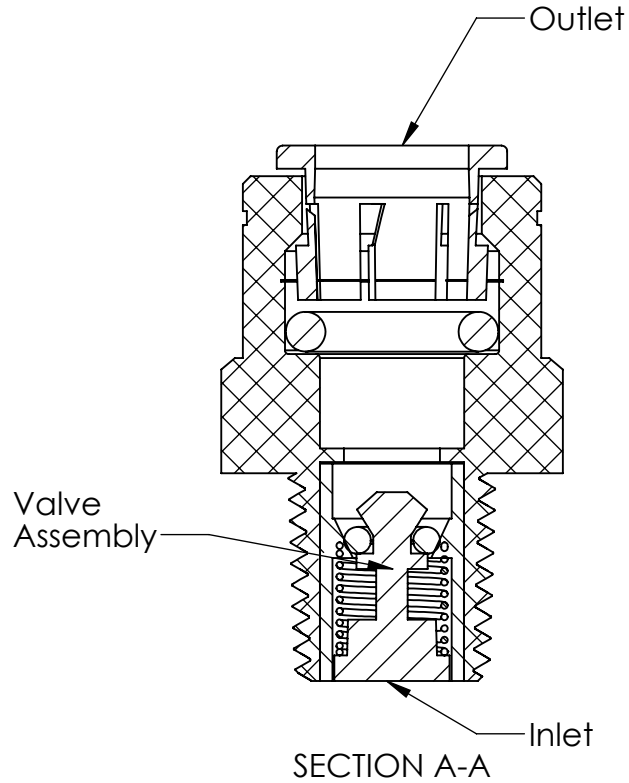
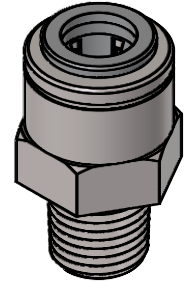
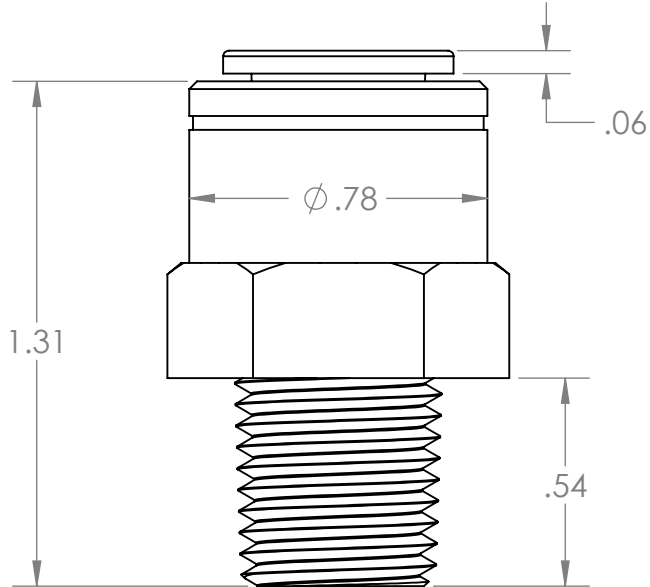
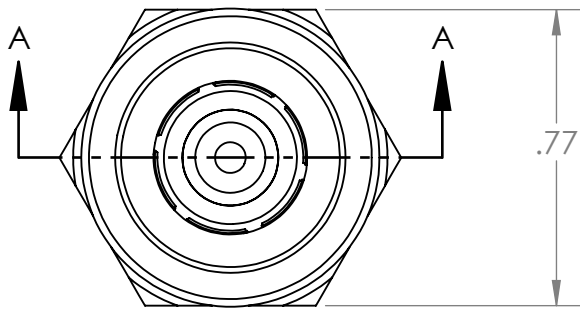


| REVISIONS |  |           |
|-----------|--|-----------|
| REV. 2    | Added updated Title Block, Spring Tolerance and Max Operating Pressure | 1.26.2026 |



**NOTE:**

**50 psi Max Pressure  
Spring Tolerance  $\pm$  30%**

FOR REFERENCE ONLY

PROPRIETARY AND CONFIDENTIAL

**Description**

The information contained in this drawing is for reference only and remains the sole property of Industrial Specialties Mfg, Inc and IS Med Specialties (collectively "ISM"). Any reproduction in part or as a whole without the written permission of ISM is prohibited.

1/4" Male NPT x 3/8" Push-In Check Valve,  
1 psi Cracking Pressure, Buna-N Seals,  
Flows from Thread to Push-In, Gray Acetal

|      |           |
|------|-----------|
| NAME | DATE      |
| M.E. | 1.26.2026 |

|                    |     |
|--------------------|-----|
| PART#              | REV |
| CVQCS-4M-38-BU-1 # | 2   |

SHEET 1 OF 1

**ISM** Industrial Specialties Mfg.  
& IS Med Specialties

SCALE: 2:1

industrialspec.com | 720-729-2202

DO NOT SCALE DRAWING  
All Dimensions are in Inches