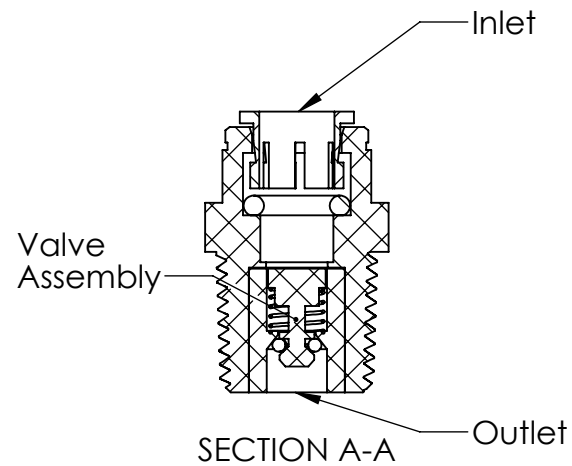
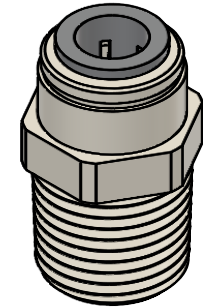
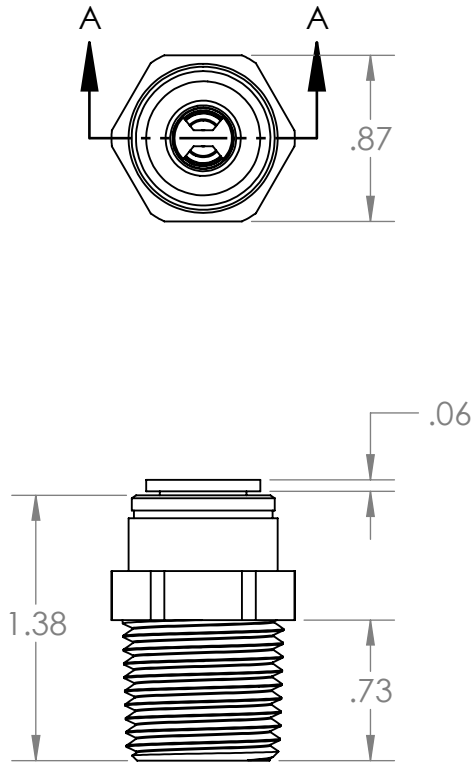


| REVISIONS | | |
|-----------|--|----------|
| REV. 2 | Added updated Title Block, Spring Tolerance and Max Operating Pressure | 2.3.2026 |



FOR REFERENCE ONLY

NOTE:
50 psi Max Pressure
Spring Tolerance $\pm 30\%$

| | | | | | |
|--|---|----------------|----------|---|----------|
| PROPRIETARY AND CONFIDENTIAL The information contained in this drawing is for reference only and remains the sole property of Industrial Specialties Mfg, Inc and IS Med Specialties (collectively "ISM"). Any reproduction in part or as a whole without the written permission of ISM is prohibited. | Description 3/8" Push-In x 1/2" Male NPT Check Valve, 1 psi Cracking Pressure, Buna-N Seals, Flow from Push-In to Thread, Gray Acetal | NAME | DATE | PART# CVQCS-38-8M-BU-1# | REV 2 |
| | | DRAWN BY: M.E. | 2.3.2026 | | |
| | | SHEET 1 OF 1 | |  Industrial Specialties Mfg. & IS Med Specialties | |
| | | SCALE: 1:1 | | industrialspec.com 720-729-2202 | |
| DO NOT SCALE DRAWING All Dimensions are in Inches | | | | | |