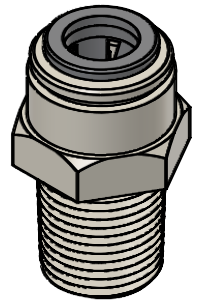
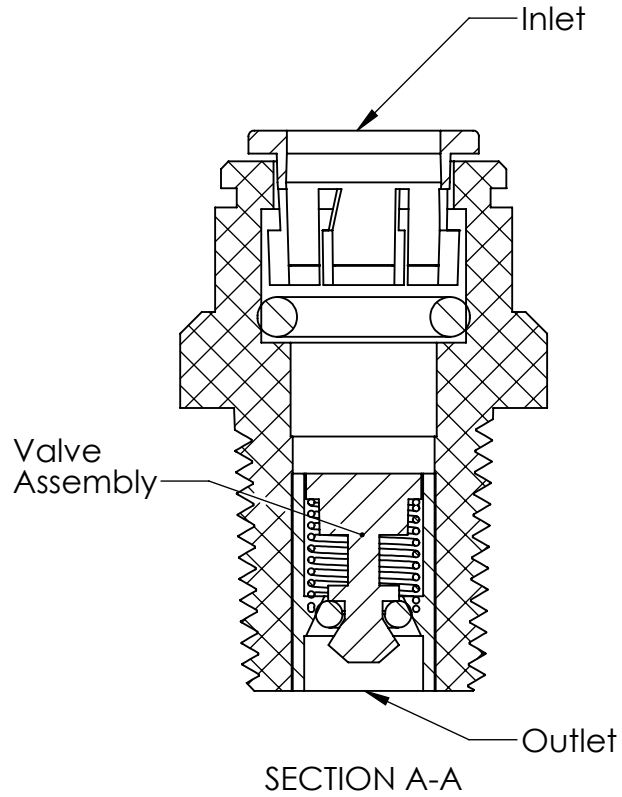
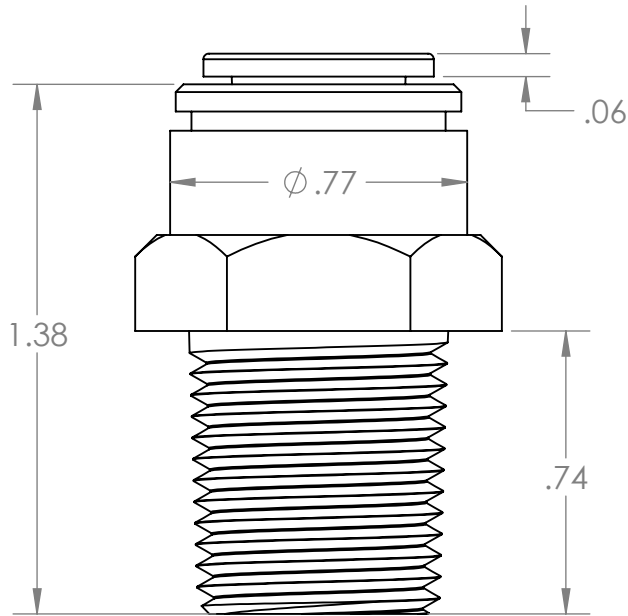
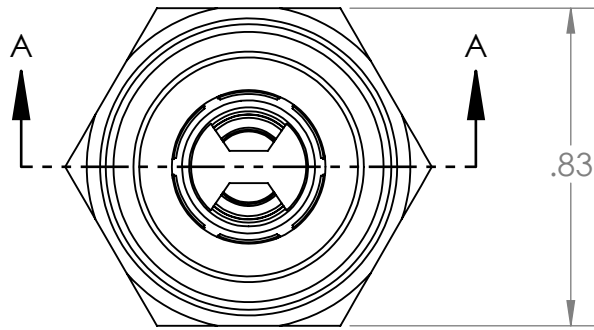


REVISIONS		
REV. 2	Added updated Title Block, Spring Tolerance and Max Operating Pressure	1.27.2026



NOTE:
50 psi Max Pressure
Spring Tolerance $\pm 30\%$

FOR REFERENCE ONLY

PROPRIETARY AND CONFIDENTIAL

Description

The information contained in this drawing is for reference only and remains the sole property of Industrial Specialties Mfg, Inc and IS Med Specialties (collectively "ISM"). Any reproduction in part or as a whole without the written permission of ISM is prohibited.

3/8" Push-In x 3/8" Male NPT Check Valve,
 1 psi Cracking Pressure, Buna-N Seals,
 Flow from Push-In to Thread, Gray Acetal

NAME	DATE
M.E.	1.27.2026

PART#	REV
CVQCS-38-6M-BU-1#	2

SHEET 1 OF 1

ISM Industrial Specialties Mfg.
 & IS Med Specialties

SCALE: 2:1

industrialspec.com | 720-729-2202

DO NOT SCALE DRAWING
 All Dimensions are in Inches