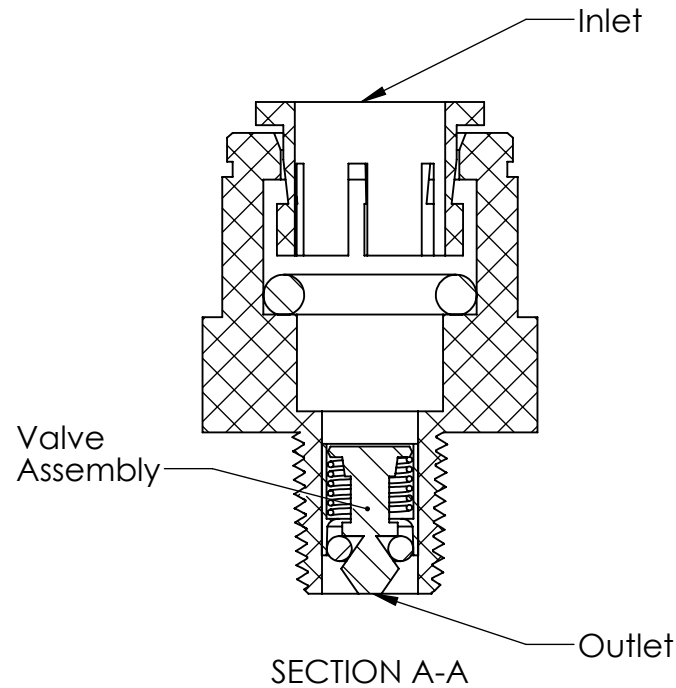
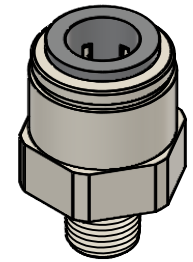
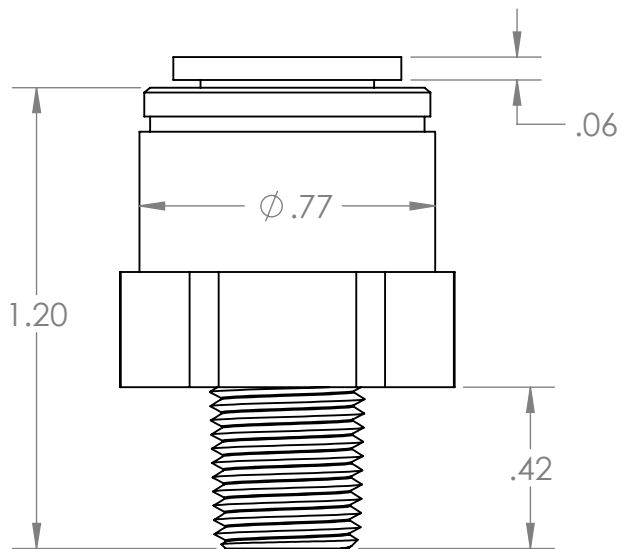
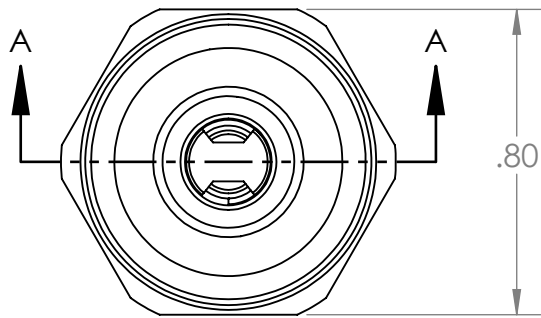


REVISIONS		
REV. 2	Added updated Title Block, Spring Tolerance and Max Operating Pressure	2.2.2026



FOR REFERENCE ONLY

NOTE:
25 psi Max Pressure
Spring Tolerance $\pm 30\%$

PROPRIETARY AND CONFIDENTIAL

Description

The information contained in this drawing is for reference only and remains the sole property of Industrial Specialties Mfg, Inc and IS Med Specialties (collectively "ISM"). Any reproduction in part or as a whole without the written permission of ISM is prohibited.

3/8" Push-In x 1/8" Male NPT Check Valve,
1 psi Cracking Pressure, Buna-N Seals,
Flow from Push-In to Thread, Gray Acetal

NAME	DATE
M.E.	2.2.2026

PART#

CVQCS-38-2M-BU-1#

REV
2

SHEET 1 OF 1

SCALE: 2:1

DO NOT SCALE DRAWING
All Dimensions are in Inches

ISM Industrial Specialties Mfg.
& IS Med Specialties

industrialspec.com | 720-729-2202