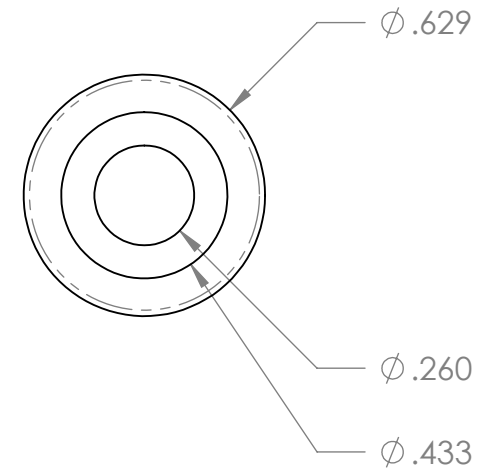
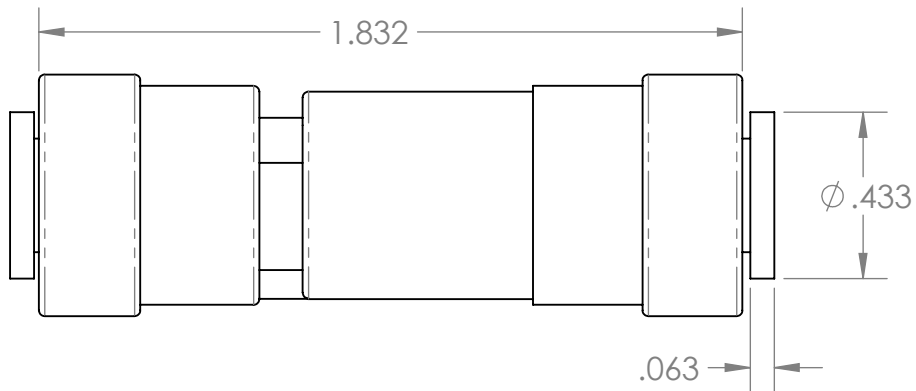


Flow from White Collet to Gray Collet,
a direction arrow is on the part



PROPRIETARY AND CONFIDENTIAL

Description

THE INFORMATION CONTAINED IN THIS DRAWING IS THE SOLE PROPERTY OF INDUSTRIAL SPECIALTIES MFG. AND IS MED SPECIALITES. ANY REPRODUCTION IN PART OR AS A WHOLE WITHOUT THE WRITTEN PERMISSION OF INDUSTRIAL SPECIALTIES MFG. AND IS MED SPECIALITES IS PROHIBITED.

1/4" Push-In Check Valve, 5 psi Cracking Pressure, Dual EPDM O-Rings, Acetal Check Valve, Polypropylene Body

NAME	DATE
M.E.	9/22/2016

PART#	REV
CVPI-14-5-PP	1

SHEET 1 OF 1

SCALE: 2:1

DO NOT SCALE DRAWING

Industrial Specialties Mfg.
IS Med Specialties
 www.industrialspec.com
 800-781-8487