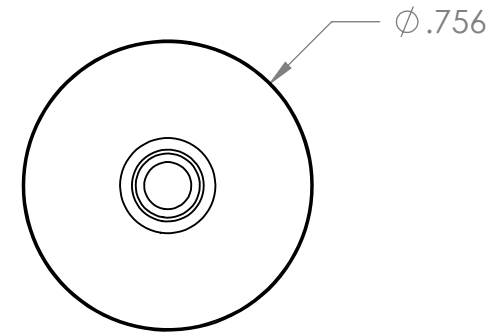
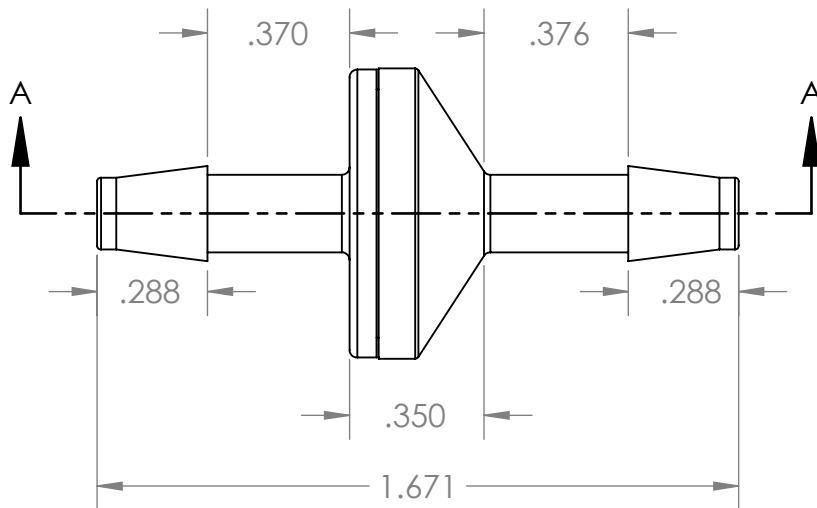
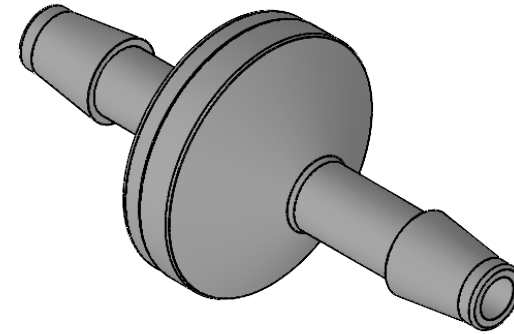


SECTION A-A



PROPRIETARY AND CONFIDENTIAL

Description

THE INFORMATION CONTAINED IN THIS DRAWING IS THE SOLE PROPERTY OF INDUSTRIAL SPECIALTIES MFG. AND IS MED SPECIALITES. ANY REPRODUCTION IN PART OR AS A WHOLE WITHOUT THE WRITTEN PERMISSION OF INDUSTRIAL SPECIALTIES MFG. AND IS MED SPECIALITES IS PROHIBITED.

3/16" Hose Barb Diaphragm Check Valve,
Silicone Diaphragm, Nylon Body

NAME	DATE
DRAWN BY: M.S.	05/17/2021

PART#	CVNSI-316	REV	1
--------------	-----------	-----	---

SHEET 1 OF 1
SCALE: 2:1
DO NOT SCALE DRAWING

ISM Industrial Specialties Mfg. & IS MED Specialties (ISM)
industrialspec.com | 800-781-8486