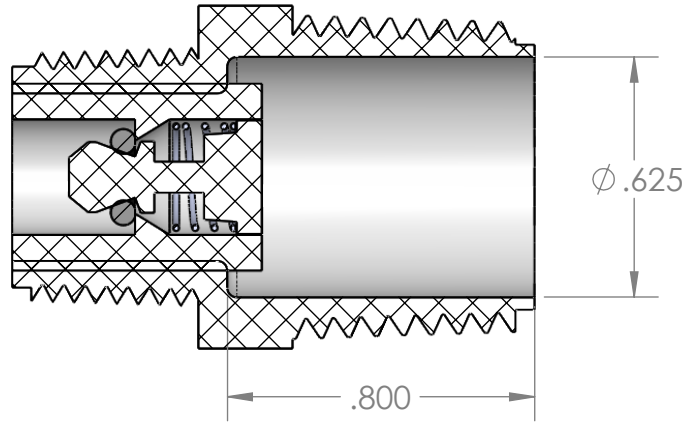
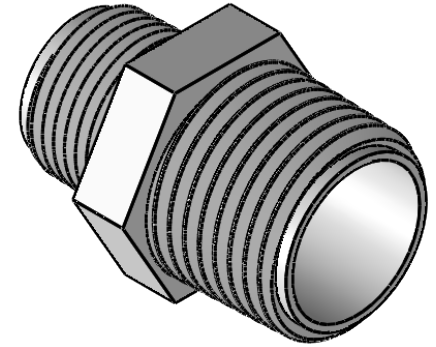
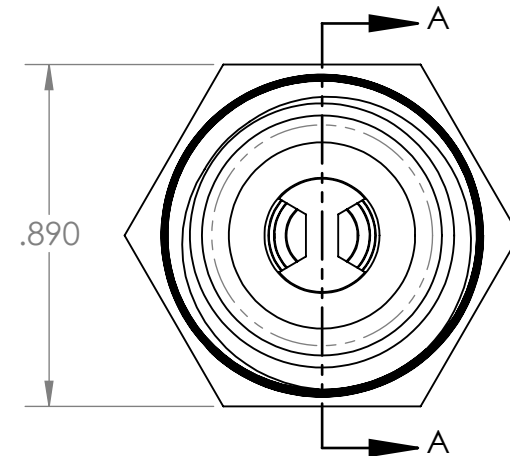
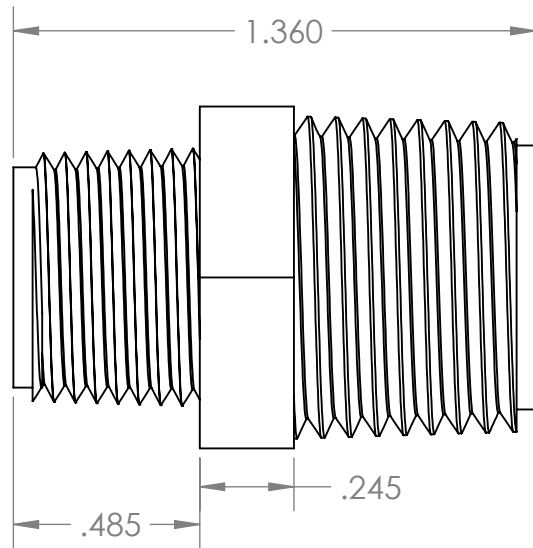


← Flow Direction



SECTION A-A



PROPRIETARY AND CONFIDENTIAL

Description

THE INFORMATION CONTAINED IN THIS DRAWING IS THE SOLE PROPERTY OF INDUSTRIAL SPECIALTIES MFG. AND IS MED SPECIALITES. ANY REPRODUCTION IN PART OR AS A WHOLE WITHOUT THE WRITTEN PERMISSION OF INDUSTRIAL SPECIALTIES MFG. AND IS MED SPECIALITES IS PROHIBITED.

1/2" Male NPT x 3/8" Male NPT Check Valve,
1 psi Cracking Pressure, Flows from 1/2" to 3/8",
Buna-N Seal, Nylon

NAME DATE
DRAWN BY: M.E. 3.29.2021

PART#

CVNHPN-8M6M-BU-1#

REV
1

SHEET 1 OF 1

SCALE: 2:1

DO NOT SCALE DRAWING



industrialspec.com | 800-781-8486