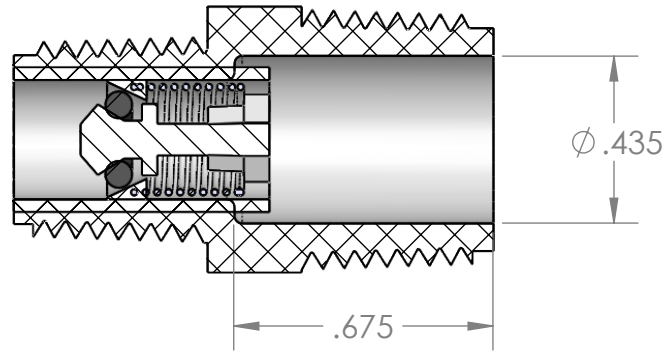
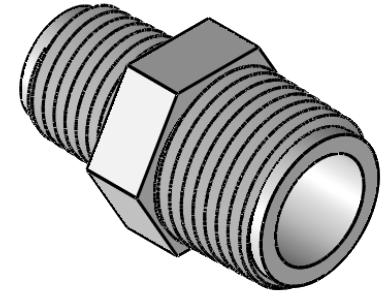
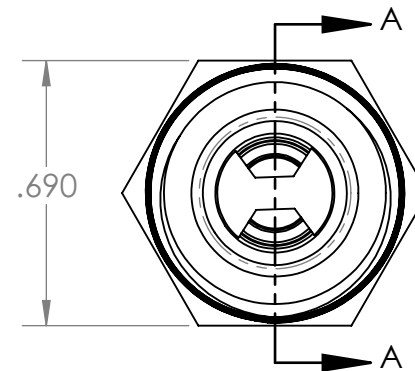
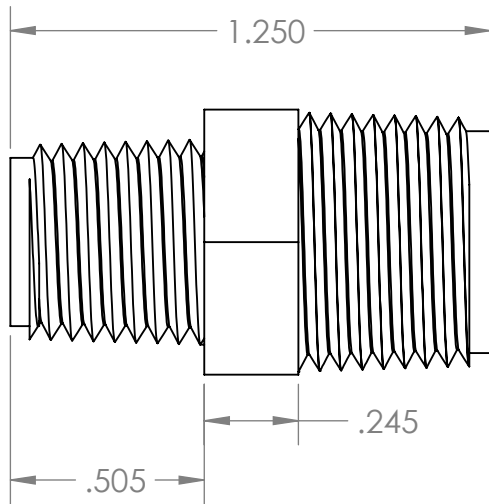


← **Flow Direction**



SECTION A-A



PROPRIETARY AND CONFIDENTIAL

Description

THE INFORMATION CONTAINED IN THIS DRAWING IS THE SOLE PROPERTY OF INDUSTRIAL SPECIALTIES MFG. AND IS MED SPECIALITES. ANY REPRODUCTION IN PART OR AS A WHOLE WITHOUT THE WRITTEN PERMISSION OF INDUSTRIAL SPECIALTIES MFG. AND IS MED SPECIALITES IS PROHIBITED.

3/8" Male NPT x 1/4" Male NPT Check Valve,
1 psi Cracking Pressure, Flows from 3/8" to 1/4",
Buna-N Seal, Nylon

NAME	DATE
M.E.	3.29.2021

PART#
CVNHPN-6M4M-BU-1#

REV
1

SHEET 1 OF 1

SCALE: 2:1

DO NOT SCALE DRAWING

ISM Industrial Specialties Mfg.
& IS MED Specialites (ISM)
industrialspec.com | 800-781-8486