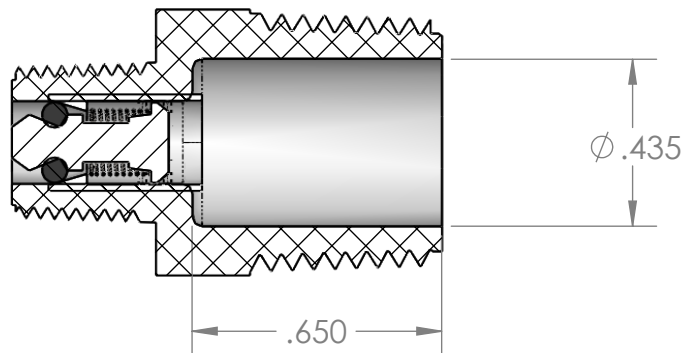
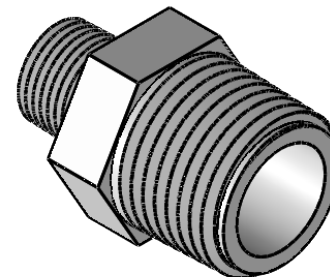
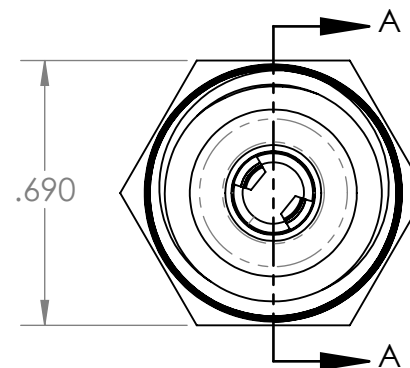
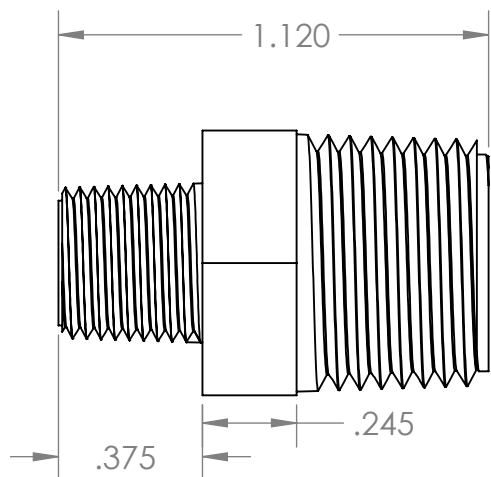


 **Flow Direction**



SECTION A-A



PROPRIETARY AND CONFIDENTIAL

**Description**

THE INFORMATION CONTAINED IN THIS DRAWING IS THE SOLE PROPERTY OF INDUSTRIAL SPECIALTIES MFG. AND IS MED SPECIALITES. ANY REPRODUCTION IN PART OR AS A WHOLE WITHOUT THE WRITTEN PERMISSION OF INDUSTRIAL SPECIALTIES MFG. AND IS MED SPECIALITES IS PROHIBITED.

3/8" Male NPT x 1/8" Male NPT Check Valve,  
1 psi Cracking Pressure, Flows from 3/8" to 1/8",  
Buna-N Seal, Nylon

NAME	DATE
M.E.	3.29.2021

**PART#**  
CVNHPN-6M2M-BU-1 #

REV  
1

SHEET 1 OF 1

SCALE: 2:1

DO NOT SCALE DRAWING



industrialspec.com | 800-781-8486