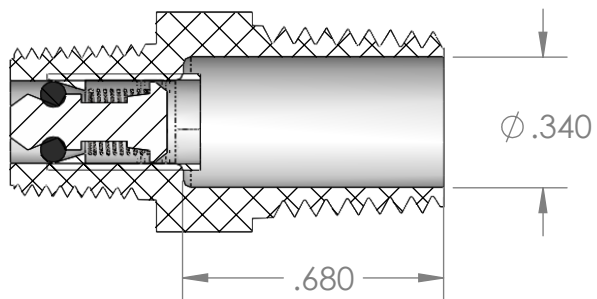
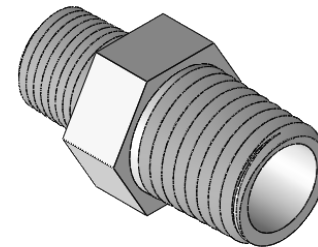
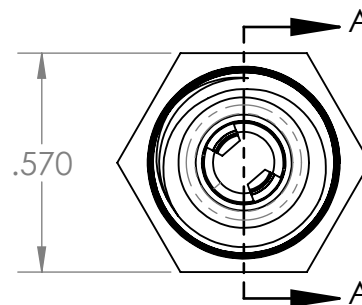
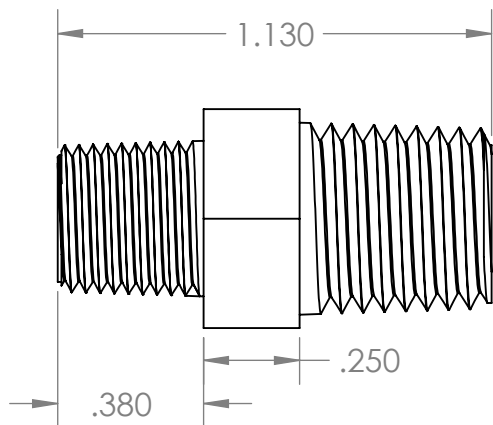


← Flow Direction



SECTION A-A



PROPRIETARY AND CONFIDENTIAL

Description

THE INFORMATION CONTAINED IN THIS DRAWING IS THE SOLE PROPERTY OF INDUSTRIAL SPECIALTIES MFG. AND IS MED SPECIALITES. ANY REPRODUCTION IN PART OR AS A WHOLE WITHOUT THE WRITTEN PERMISSION OF INDUSTRIAL SPECIALTIES MFG. AND IS MED SPECIALITES IS PROHIBITED.

1/4" Male NPT x 1/8" Male NPT Check Valve,
1 psi Cracking Pressure, Flows from 1/4" to 1/8",
Buna-N Seal, Nylon

| | |
|----------------|-----------|
| NAME | DATE |
| DRAWN BY: M.E. | 3.29.2021 |

| | |
|-------------------|-----|
| PART# | REV |
| CVNHPM-4M2M-BU-1# | 1 |

SHEET 1 OF 1

SCALE: 2:1

DO NOT SCALE DRAWING



industrialspec.com | 800-781-8486