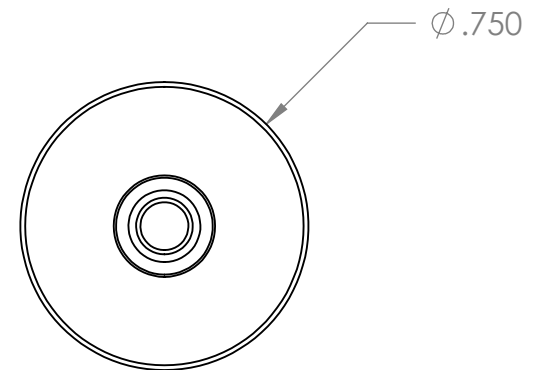
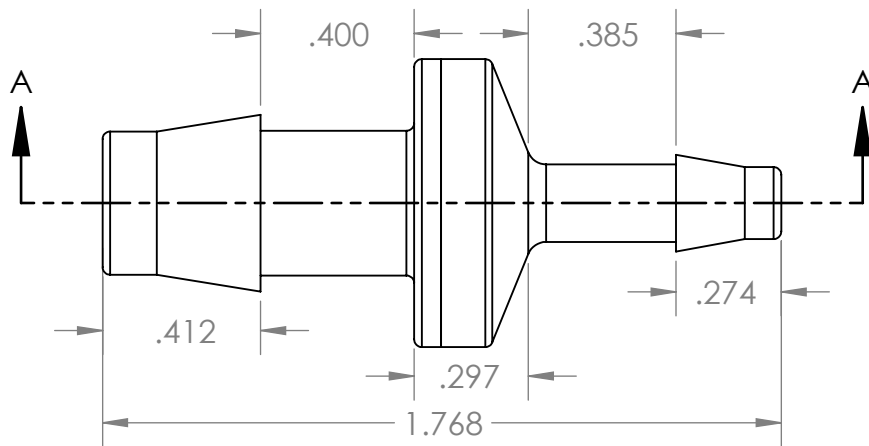
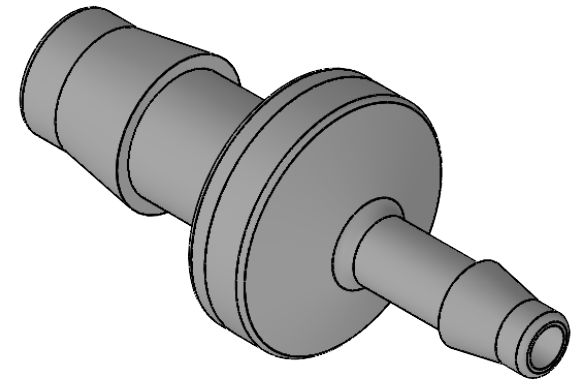


SECTION A-A



PROPRIETARY AND CONFIDENTIAL

Description

THE INFORMATION CONTAINED IN THIS DRAWING IS THE SOLE PROPERTY OF INDUSTRIAL SPECIALTIES MFG. AND IS MED SPECIALITES. ANY REPRODUCTION IN PART OR AS A WHOLE WITHOUT THE WRITTEN PERMISSION OF INDUSTRIAL SPECIALTIES MFG. AND IS MED SPECIALITES IS PROHIBITED.

3/8" Hose Barb x 3/16" Hose Barb Diaphragm Check Valve, Viton Diaphragm, Kynar Body, Flow from 3/8" Hose Barb to 3/16" Hose Barb

NAME	DATE
M.S.	05/27/2021

PART#	CVKV-38-316	REV	1
--------------	-------------	-----	---

SHEET 1 OF 1

SCALE: 2:1

DO NOT SCALE DRAWING

ISM Industrial Specialties Mfg. & IS MED Specialties (ISM)

industrialspec.com | 800-781-8486