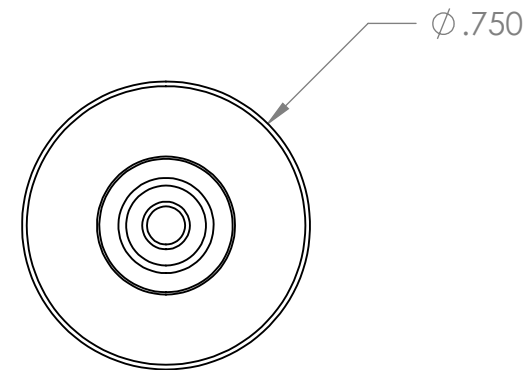
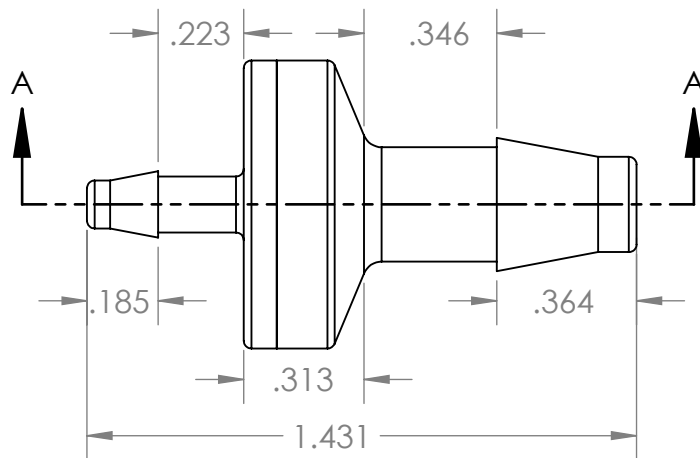
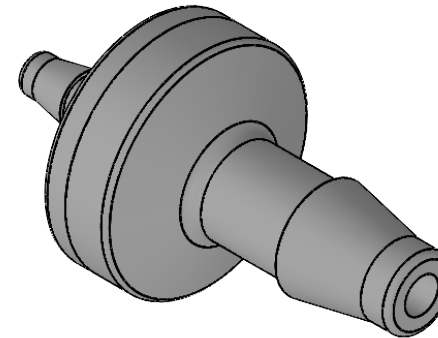


SECTION A-A



PROPRIETARY AND CONFIDENTIAL

Description

THE INFORMATION CONTAINED IN THIS DRAWING IS THE SOLE PROPERTY OF INDUSTRIAL SPECIALTIES MFG. AND IS MED SPECIALITES. ANY REPRODUCTION IN PART OR AS A WHOLE WITHOUT THE WRITTEN PERMISSION OF INDUSTRIAL SPECIALTIES MFG. AND IS MED SPECIALITES IS PROHIBITED.

1/8" Hose Barb x 1/4" Hose Barb Diaphragm, Check Valve, Flows from 1/8" to 1/4", Viton Diaphragm, Kynar Body

NAME	DATE
DRAWN BY: M.S.	05/25/2021

PART#	CVKV-18-14	REV	1
--------------	------------	-----	---

SHEET 1 OF 1
SCALE: 2:1
DO NOT SCALE DRAWING

ISM Industrial Specialties Mfg. & IS MED Specialties (ISM)
 industrialspec.com | 800-781-8486