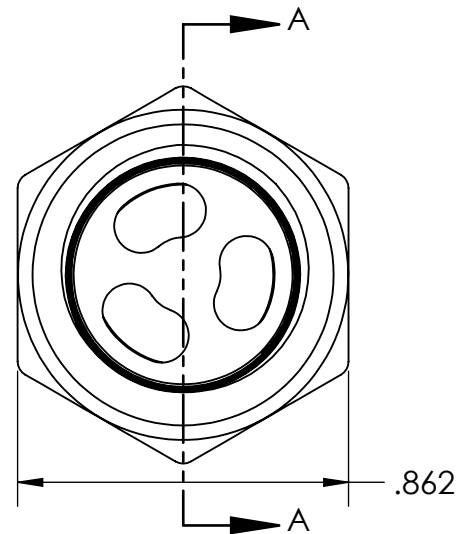
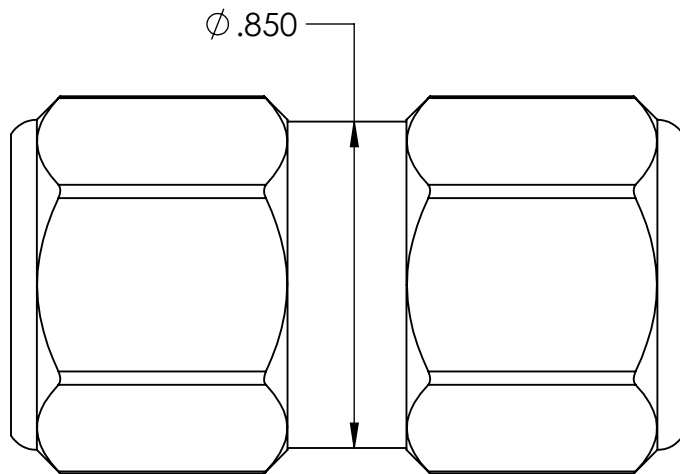
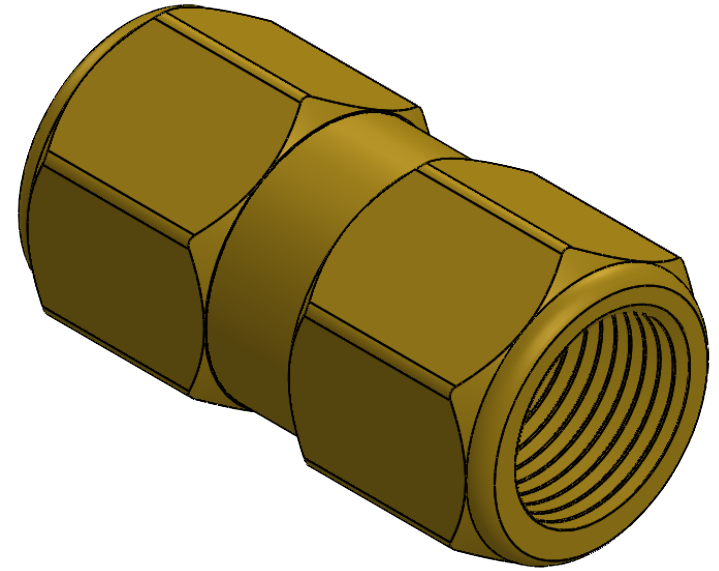


SECTION A-A



FOR REFERENCE ONLY

PROPRIETARY AND CONFIDENTIAL

Description

THE INFORMATION CONTAINED IN THIS DRAWING IS FOR REFERENCE ONLY AND REMAINS THE SOLE PROPERTY OF INDUSTRIAL SPECIALTIES MFG. AND IS MED SPECIALITES. ANY REPRODUCTION IN PART OR AS A WHOLE WITHOUT THE WRITTEN PERMISSION OF INDUSTRIAL SPECIALTIES MFG. AND IS MED SPECIALITES IS PROHIBITED.

3/8" Female NPT Poppet Check Valve, 1 psi Cracking Pressure, Buna-N Seals, Brass

NAME	DATE
M.K.	01.09.2023

PART#

CSP-6F-1#-BU-B

REV
1

SHEET 1 OF 1

SCALE: 2:1

DO NOT SCALE DRAWING
All Dimensions are in Inches



industrialspec.com | 800-781-8486