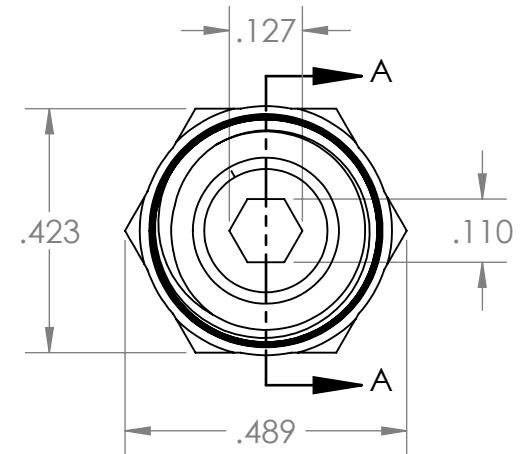
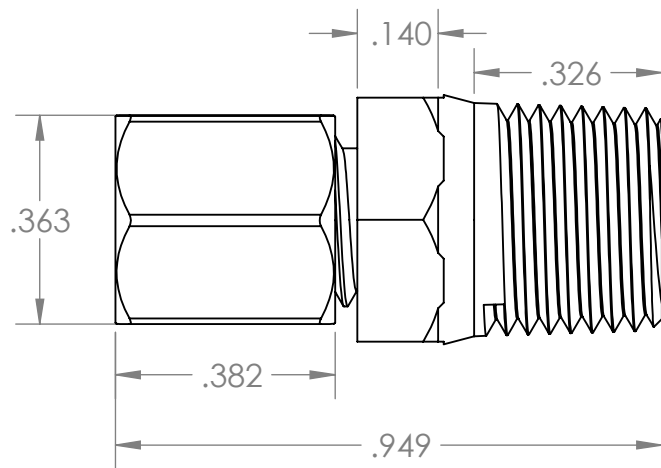
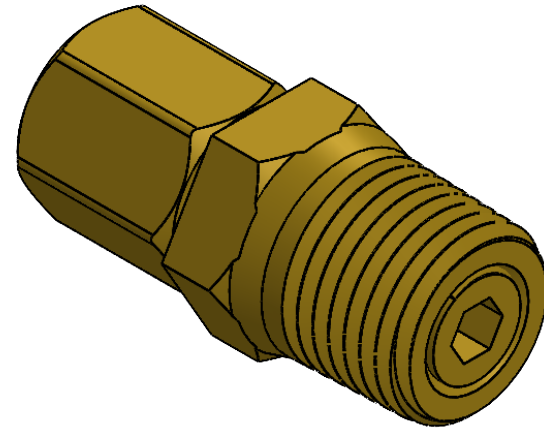


SECTION A-A



PROPRIETARY AND CONFIDENTIAL

**Description**

1/8" OD x 1/8" Male NPT Compression  
Ball Check Valve, Brass

THE INFORMATION CONTAINED IN THIS DRAWING IS THE SOLE PROPERTY OF INDUSTRIAL SPECIALTIES MFG. AND IS MED SPECIALITES. ANY REPRODUCTION IN PART OR AS A WHOLE WITHOUT THE WRITTEN PERMISSION OF INDUSTRIAL SPECIALTIES MFG. AND IS MED SPECIALITES IS PROHIBITED.

NAME DATE  
DRAWN BY: M.S. 12/22/2021

PART# COP-18-2M

REV 1

SHEET 1 OF 1

SCALE: 4:1

DO NOT SCALE DRAWING



industrialspec.com | 800-781-8486