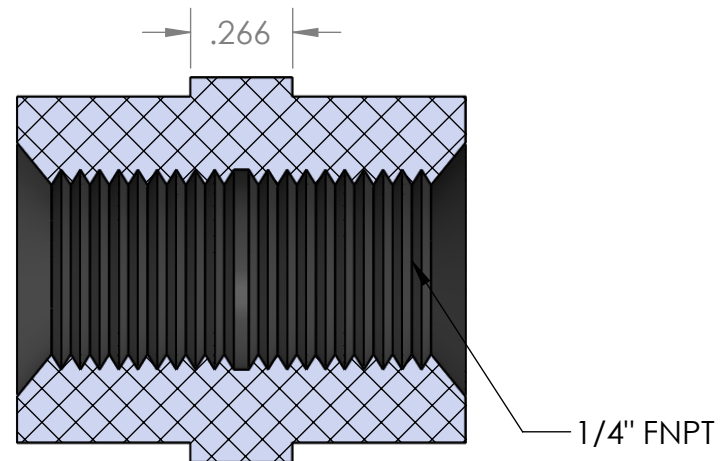


SECTION A-A



PROPRIETARY AND CONFIDENTIAL

**Description**

THE INFORMATION CONTAINED IN THIS DRAWING IS THE SOLE PROPERTY OF INDUSTRIAL SPECIALTIES MFG. AND IS MED SPECIALITES. ANY REPRODUCTION IN PART OR AS A WHOLE WITHOUT THE WRITTEN PERMISSION OF INDUSTRIAL SPECIALTIES MFG. AND IS MED SPECIALITES IS PROHIBITED.

1/4" Female NPT Connector,  
Black Polypropylene

|      |           |
|------|-----------|
| NAME | DATE      |
| M.E. | 9/26/2016 |

**PART#**

CON-4F-BPP

REV  
1

SHEET 1 OF 1

SCALE: 2:1

DO NOT SCALE DRAWING



**Industrial Specialties Mfg.**

**IS Med Specialties**

www.industrial-spec.com  
800-781-8487