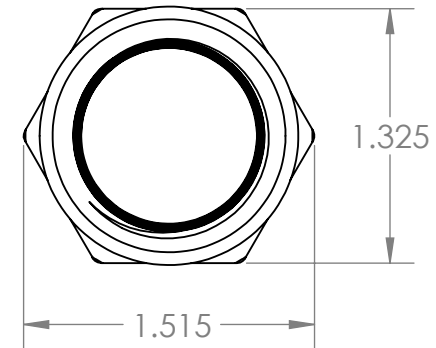
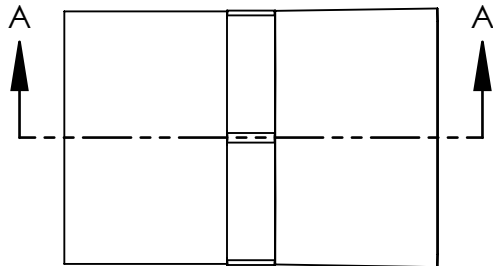
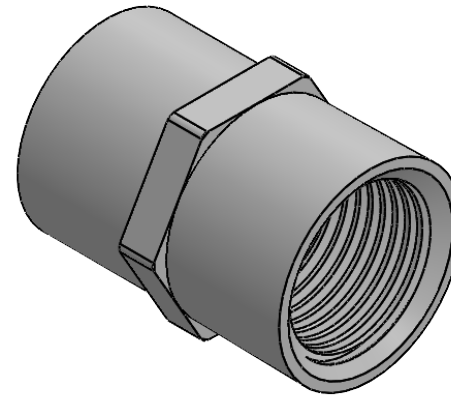
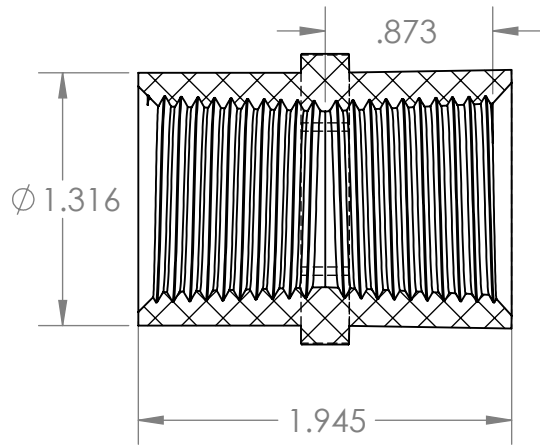


SECTION A-A



PROPRIETARY AND CONFIDENTIAL

Description

THE INFORMATION CONTAINED IN THIS DRAWING IS THE SOLE PROPERTY OF INDUSTRIAL SPECIALTIES MFG. AND IS MED SPECIALITES. ANY REPRODUCTION IN PART OR AS A WHOLE WITHOUT THE WRITTEN PERMISSION OF INDUSTRIAL SPECIALTIES MFG. AND IS MED SPECIALITES IS PROHIBITED.

3/4" Female NPT Connector,  
Natural Nylon

NAME	DATE
M.S.	04/23/2021

PART# CON-12F-N

REV  
1

SHEET 1 OF 1

SCALE: 1:1

DO NOT SCALE DRAWING



industrialspec.com | 800-781-8486