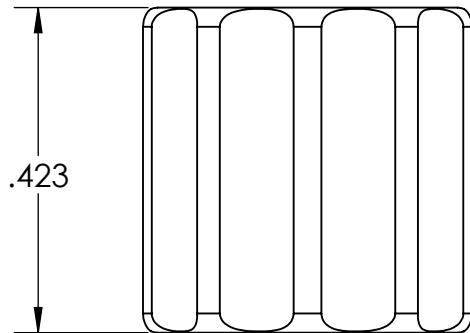
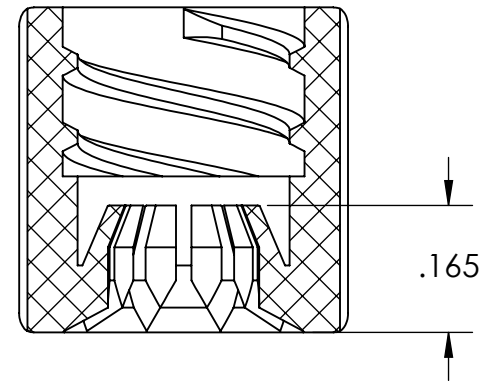


R.125



.423



.165

SECTION A-A

FOR REFERENCE ONLY

PROPRIETARY AND CONFIDENTIAL

**Description**

THE INFORMATION CONTAINED IN THIS DRAWING IS FOR REFERENCE ONLY AND REMAINS THE SOLE PROPERTY OF INDUSTRIAL SPECIALTIES MFG. AND IS MED SPECIALITES. ANY REPRODUCTION IN PART OR AS A WHOLE WITHOUT THE WRITTEN PERMISSION OF INDUSTRIAL SPECIALTIES MFG. AND IS MED SPECIALITES IS PROHIBITED.

Finger Snap Luer Lock Ring, Black Nylon

NAME	DATE
M.E.	7.6.2022

**PART#**  
CLFSR-BN

**REV**  
1

SHEET 1 OF 1

SCALE: 4:1

DO NOT SCALE DRAWING



**industrialspec.com | 800-781-8486**

5

4

3

2

1