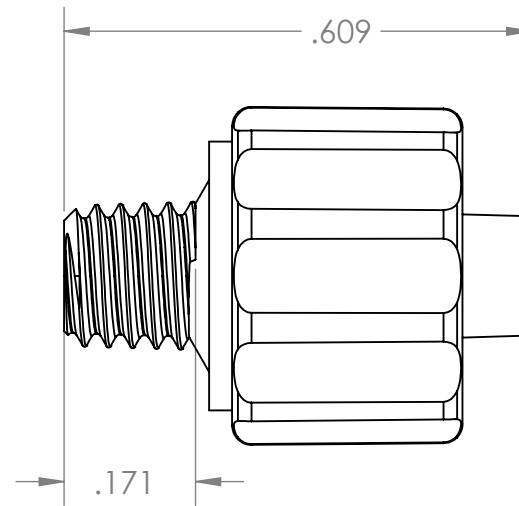
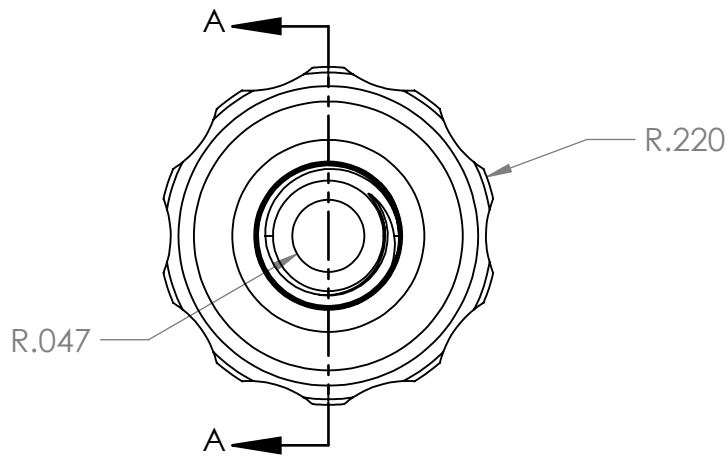
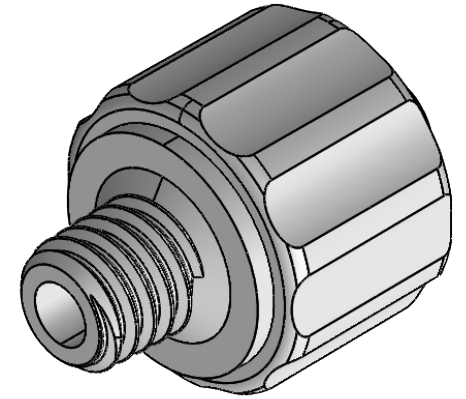


SECTION A-A



PROPRIETARY AND CONFIDENTIAL

**Description**

THE INFORMATION CONTAINED IN THIS DRAWING IS THE SOLE PROPERTY OF INDUSTRIAL SPECIALTIES MFG. AND IS MED SPECIALITES. ANY REPRODUCTION IN PART OR AS A WHOLE WITHOUT THE WRITTEN PERMISSION OF INDUSTRIAL SPECIALTIES MFG. AND IS MED SPECIALITES IS PROHIBITED.

Male Luer Lock x 10-32 Male UNF Adapter, Polypropylene

This part meets ISO 594-1 and 594-2 standards.

NAME	DATE
M.E.	7.7.2021

SHEET 1 OF 1

SCALE: 4:1

DO NOT SCALE DRAWING

**PART#**

CIMLT-1032T-PP

REV  
1



industrialspec.com | 800-781-8486