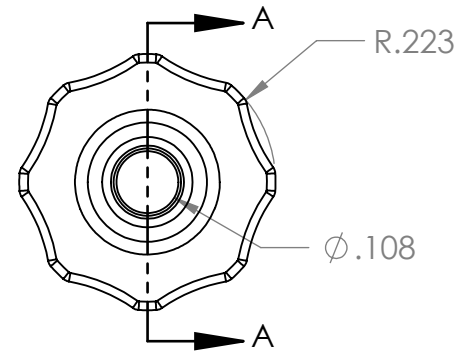
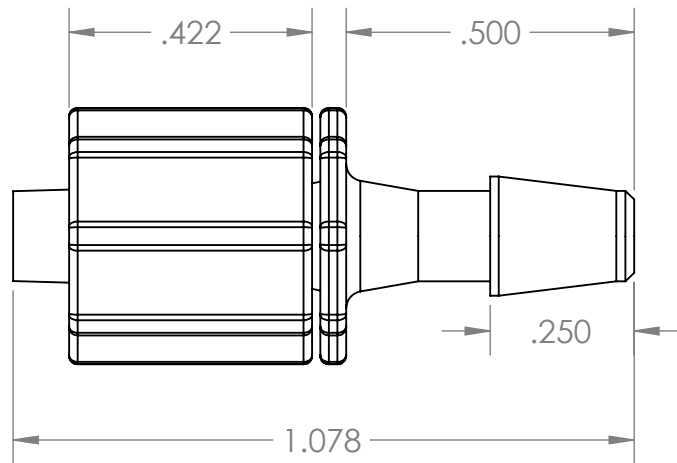
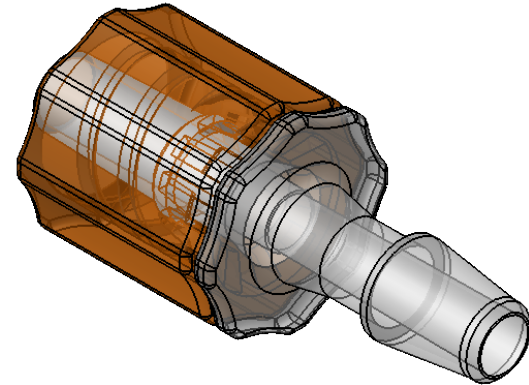


SECTION A-A
SCALE 3 : 1



PROPRIETARY AND CONFIDENTIAL

Description

THE INFORMATION CONTAINED IN THIS DRAWING IS THE SOLE PROPERTY OF INDUSTRIAL SPECIALTIES MFG. AND IS MED SPECIALITES. ANY REPRODUCTION IN PART OR AS A WHOLE WITHOUT THE WRITTEN PERMISSION OF INDUSTRIAL SPECIALTIES MFG. AND IS MED SPECIALITES IS PROHIBITED.

5/32" Hose Barb x Male Luer Lock Swivel Adapter, Orange Colored Polypropylene

NAME DATE
DRAWN BY: M.S. 05/26/2022

PART# CIMCR-532-OPP REV 1

SHEET 1 OF 1



SCALE: 2:1

industrialspec.com | 800-781-8486

DO NOT SCALE DRAWING