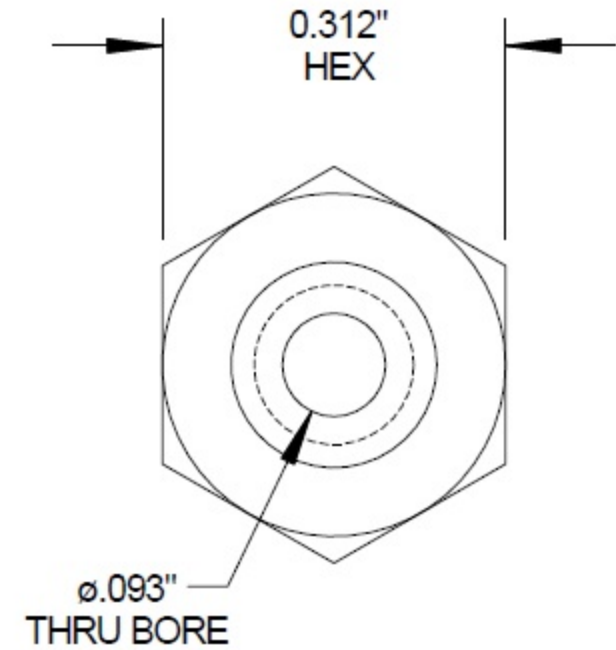
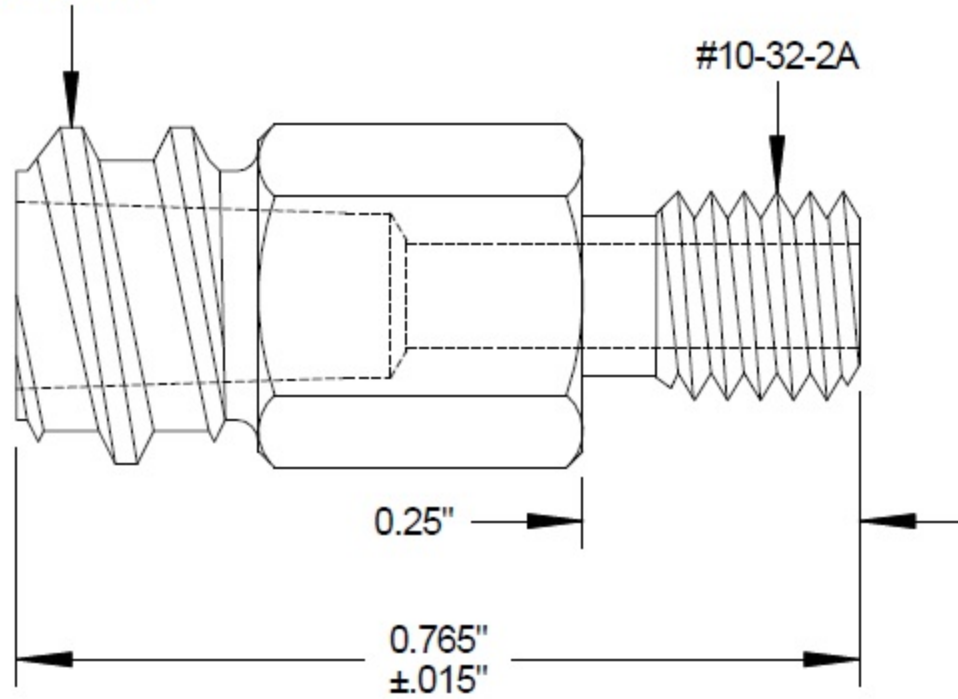


FEMALE LUER

#10-32-2A



.XX ±.010
.XXX ±.005
ANGLES ±3 DEG.

DIMENSIONS ARE IN INCHES

PROPRIETARY AND CONFIDENTIAL

Description

THE INFORMATION CONTAINED IN THIS DRAWING IS THE SOLE PROPERTY OF INDUSTRIAL SPECIALTIES MFG. AND IS MED SPECIALITES. ANY REPRODUCTION IN PART OR AS A WHOLE WITHOUT THE WRITTEN PERMISSION OF INDUSTRIAL SPECIALTIES MFG. AND IS MED SPECIALITES IS PROHIBITED.

10-32 Male UNF x Female Luer Thread Adapter, Hex Body, 316 Stainless Steel

NAME	DATE
M.E.	3.9.2022

PART#
CFLTJ-1032M-HX-SS316

REV
1

SHEET 1 OF 1



Industrial Specialties Mfg.
IS Med Specialties