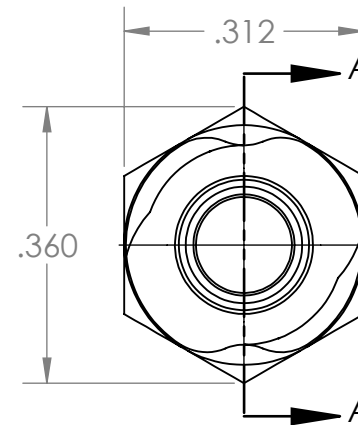
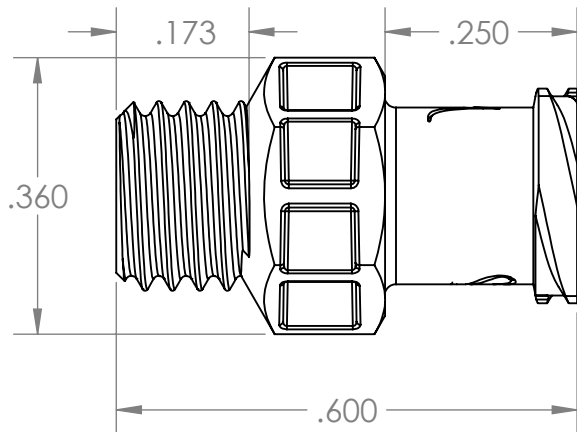
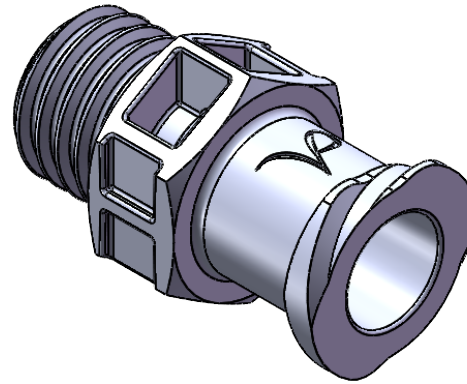


SECTION A-A



PROPRIETARY AND CONFIDENTIAL

**Description**

1/4-28 Male UNF x Female Luer Thread Adapter,  
Natural Polypropylene

THE INFORMATION CONTAINED IN THIS DRAWING IS THE SOLE PROPERTY OF INDUSTRIAL SPECIALTIES MFG. AND IS MED SPECIALITES. ANY REPRODUCTION IN PART OR AS A WHOLE WITHOUT THE WRITTEN PERMISSION OF INDUSTRIAL SPECIALTIES MFG. AND IS MED SPECIALITES IS PROHIBITED.

NAME	DATE
M.S.	06/21/2022

<b>PART#</b>	CFLT-1428M-PP	REV	1
--------------	---------------	-----	---

SHEET 1 OF 1

SCALE: 4:1

DO NOT SCALE DRAWING

**ISM** Industrial Specialties Mfg. & IS MED Specialites (ISM)  
[industrialspec.com](http://industrialspec.com) | 800-781-8486