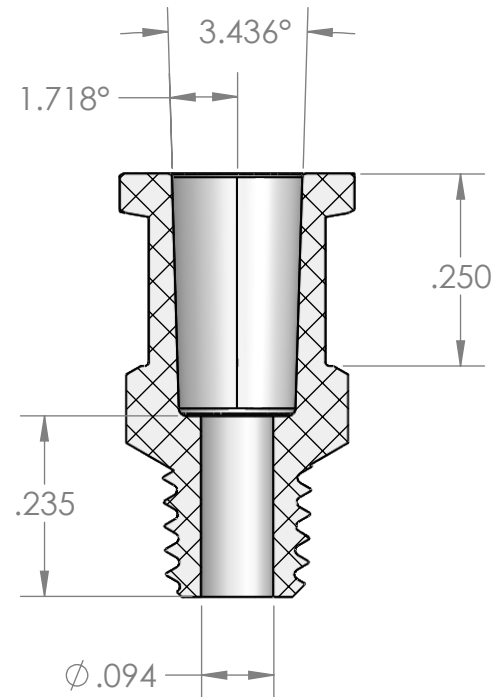
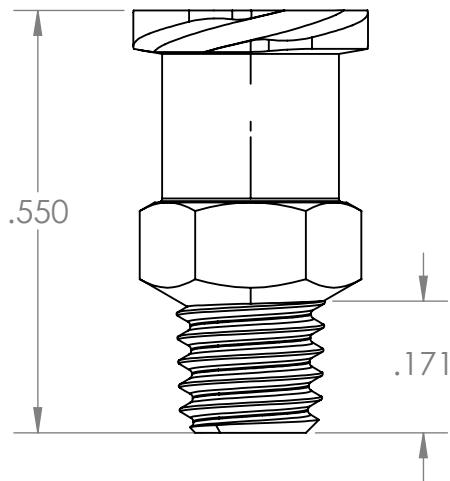
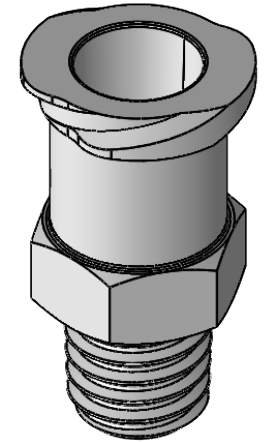


Female Luer Thread
Meets ISO 594-1 and
594-2 Standards



SECTION B-B

PROPRIETARY AND CONFIDENTIAL

Description

10-32 Male Tapered UNF x Female Luer Thread
Adapter, White Nylon

THE INFORMATION CONTAINED IN THIS
DRAWING IS THE SOLE PROPERTY OF
INDUSTRIAL SPECIALTIES MFG. AND
IS MED SPECIALITES. ANY REPRODUCTION
IN PART OR AS A WHOLE
WITHOUT THE WRITTEN PERMISSION OF
INDUSTRIAL SPECIALTIES MFG. AND
IS MED SPECIALITES IS PROHIBITED.

NAME DATE
DRAWN BY: M.E. 4.8.2021

PART#
CFLT-1032T-WN

REV
1

SHEET 1 OF 1



SCALE: 4:1

industrialspec.com | 800-781-8486

DO NOT SCALE DRAWING