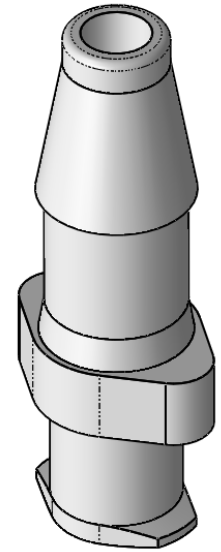
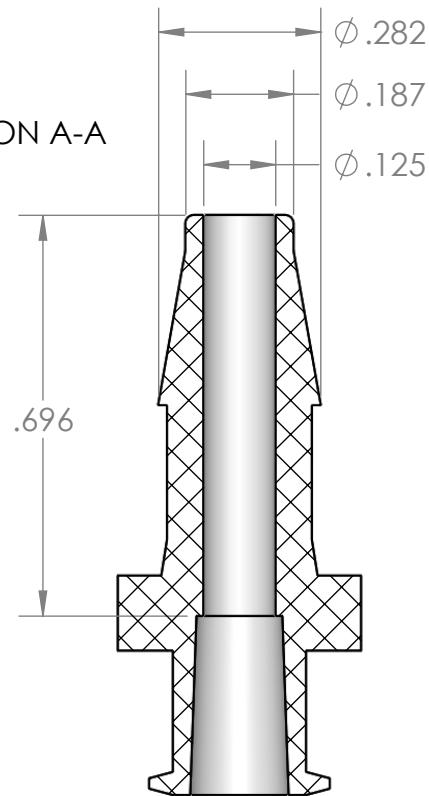


SECTION A-A



PROPRIETARY AND CONFIDENTIAL

Description

THE INFORMATION CONTAINED IN THIS DRAWING IS THE SOLE PROPERTY OF INDUSTRIAL SPECIALTIES MFG. AND IS MED SPECIALITES. ANY REPRODUCTION IN PART OR AS A WHOLE WITHOUT THE WRITTEN PERMISSION OF INDUSTRIAL SPECIALTIES MFG. AND IS MED SPECIALITES IS PROHIBITED.

3/16" Hose Barb x Female Luer Lug Adapter,
Clear Polycarbonate

MFR# LHX61-YC0

NAME DATE
DRAWN BY: M.E. 10/7/2016

SHEET 1 OF 1

SCALE: 3:1

DO NOT SCALE DRAWING

PART#
CFLLA-316-PC

REV
1



Industrial Specialties Mfg.

IS Med Specialties

www.industrial-spec.com
800-781-8487