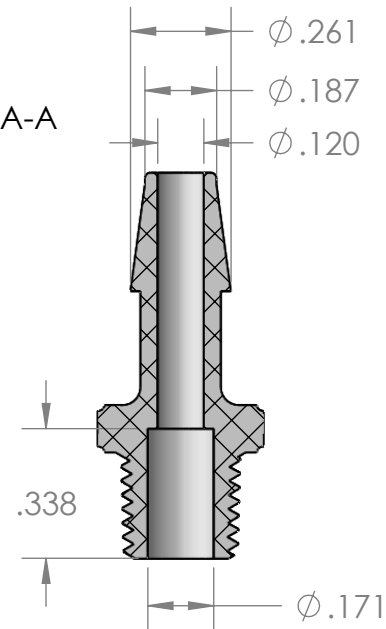


SECTION A-A



PROPRIETARY AND CONFIDENTIAL

**Description**

3/16" Hose Barb x 1/16" Male NPT Adapter,  
Precision Molded, Clear Polycarbonate

MFR# MEX11-YC0

THE INFORMATION CONTAINED IN THIS DRAWING IS THE SOLE PROPERTY OF INDUSTRIAL SPECIALTIES MFG. AND IS MED SPECIALITES. ANY REPRODUCTION IN PART OR AS A WHOLE WITHOUT THE WRITTEN PERMISSION OF INDUSTRIAL SPECIALTIES MFG. AND IS MED SPECIALITES IS PROHIBITED.

NAME	DATE
M.E.	4/24/2017

**PART#**  
BFPM-316-1-PC

REV  
1

SHEET 1 OF 1

SCALE: 2:1

DO NOT SCALE DRAWING



industrialspec.com | 800-781-8486