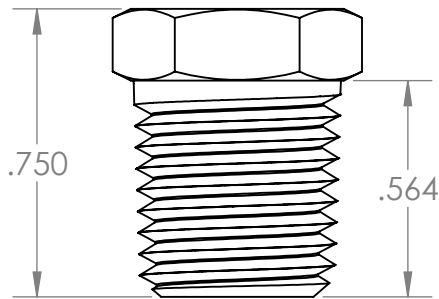
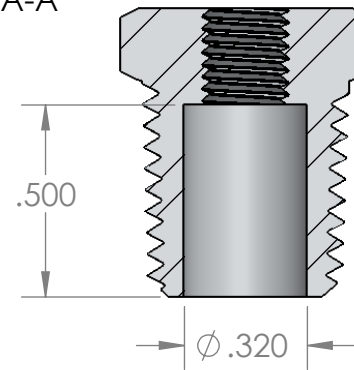


SECTION A-A



PROPRIETARY AND CONFIDENTIAL

**Description**

1/4" Male NPT x 10-32 Female UNF Bushing,  
303 Stainless Steel

THE INFORMATION CONTAINED IN THIS DRAWING IS THE SOLE PROPERTY OF INDUSTRIAL SPECIALTIES MFG. AND IS MED SPECIALITES. ANY REPRODUCTION IN PART OR AS A WHOLE WITHOUT THE WRITTEN PERMISSION OF INDUSTRIAL SPECIALTIES MFG. AND IS MED SPECIALITES IS PROHIBITED.

NAME	DATE
M.E.	7/26/2016

<b>PART#</b>	REV
BFMB-4M1032F-SS303	1

SHEET 1 OF 1

SCALE: 2:1

DO NOT SCALE DRAWING



**Industrial Specialties Mfg.**  
**IS Med Specialties**  
www.industrialpec.com  
800-781-8487