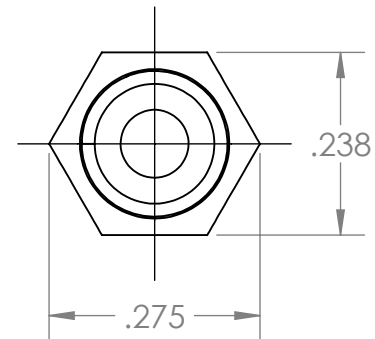
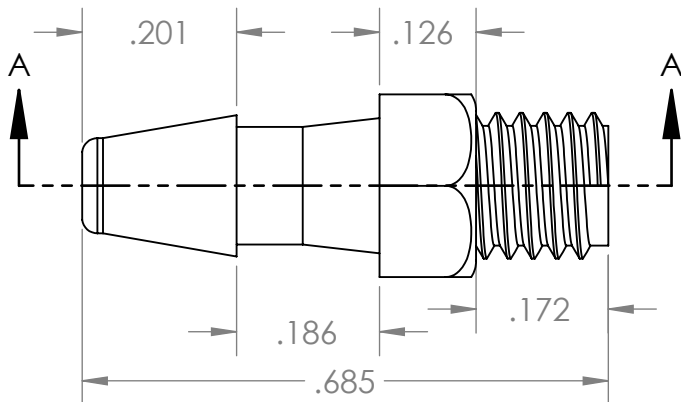
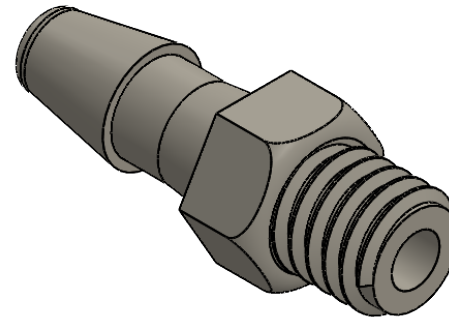


SECTION A-A



PROPRIETARY AND CONFIDENTIAL

Description

THE INFORMATION CONTAINED IN THIS DRAWING IS THE SOLE PROPERTY OF INDUSTRIAL SPECIALTIES MFG. AND IS MED SPECIALITES. ANY REPRODUCTION IN PART OR AS A WHOLE WITHOUT THE WRITTEN PERMISSION OF INDUSTRIAL SPECIALTIES MFG. AND IS MED SPECIALITES IS PROHIBITED.

1/8" Hose Barb x 10-32 Tapered Male UNF Adapter, Natural Kynar

NAME	DATE
M.S.	05/03/2021

PART#	BFJ-18-1032T-K	REV	1
--------------	----------------	-----	---

SHEET 1 OF 1

SCALE: 4:1

DO NOT SCALE DRAWING

ISM Industrial Specialties Mfg. & IS MED Specialties (ISM)
 industrialspec.com | 800-781-8486