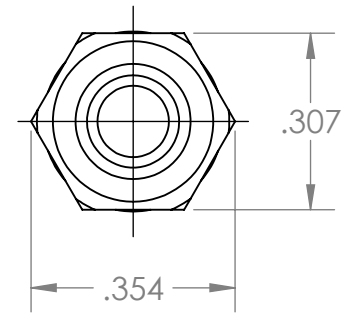
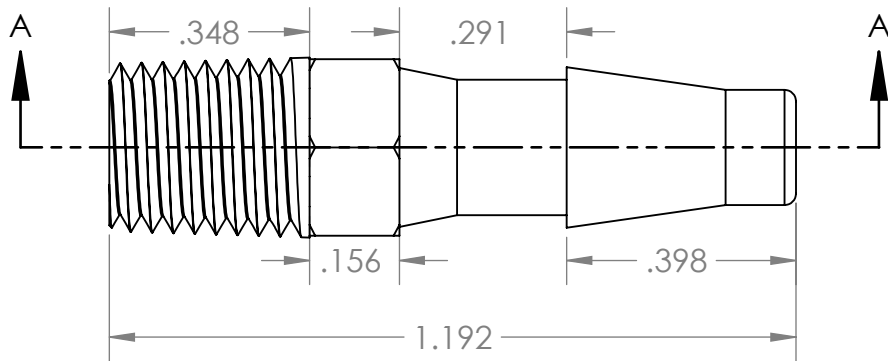
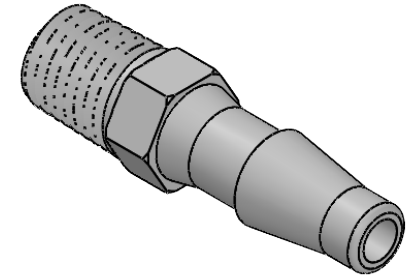


SECTION A-A
SCALE 3 : 1



PROPRIETARY AND CONFIDENTIAL

Description

THE INFORMATION CONTAINED IN THIS DRAWING IS THE SOLE PROPERTY OF INDUSTRIAL SPECIALTIES MFG. AND IS MED SPECIALITES. ANY REPRODUCTION IN PART OR AS A WHOLE WITHOUT THE WRITTEN PERMISSION OF INDUSTRIAL SPECIALTIES MFG. AND IS MED SPECIALITES IS PROHIBITED.

3/16" Hose Barb x 1/16" MNPT Adapter
Standard Barb Style, White Nylon

NAME	DATE
M.S.	05/27/2021

PART# BF-316V-1-WN

REV
1

SHEET 1 OF 1

SCALE: 3:1

DO NOT SCALE DRAWING



industrialspec.com | 800-781-8486