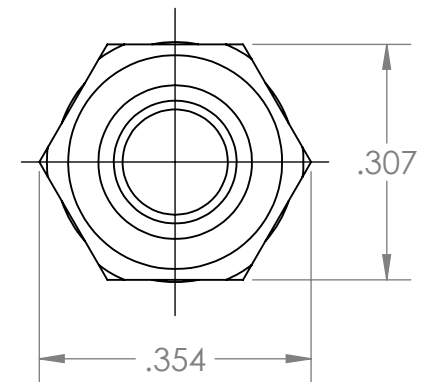
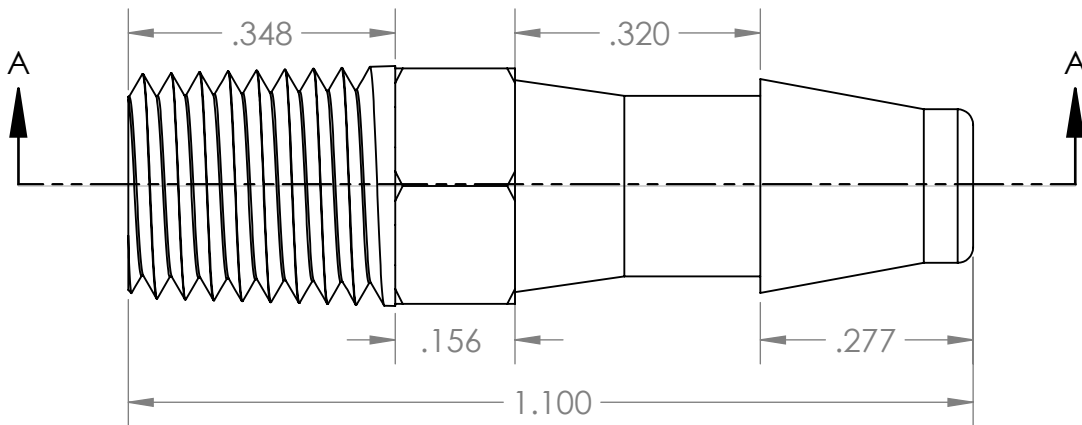
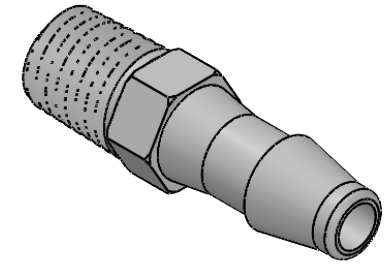


SECTION A-A



PROPRIETARY AND CONFIDENTIAL

**Description**

THE INFORMATION CONTAINED IN THIS DRAWING IS THE SOLE PROPERTY OF INDUSTRIAL SPECIALTIES MFG. AND IS MED SPECIALITES. ANY REPRODUCTION IN PART OR AS A WHOLE WITHOUT THE WRITTEN PERMISSION OF INDUSTRIAL SPECIALTIES MFG. AND IS MED SPECIALITES IS PROHIBITED.

3/16" Hose Barb x 1/16" MNPT Adapter  
High Pressure Barb Style, White Nylon

|      |            |
|------|------------|
| NAME | DATE       |
| M.S. | 05/27/2021 |

|               |     |
|---------------|-----|
| <b>PART#</b>  | REV |
| BF-316HP-1-WN | 1   |

SHEET 1 OF 1

SCALE: 4:1

DO NOT SCALE DRAWING

**ISM** Industrial Specialties Mfg. & IS MED Specialites (ISM)

industrialspec.com | 800-781-8486