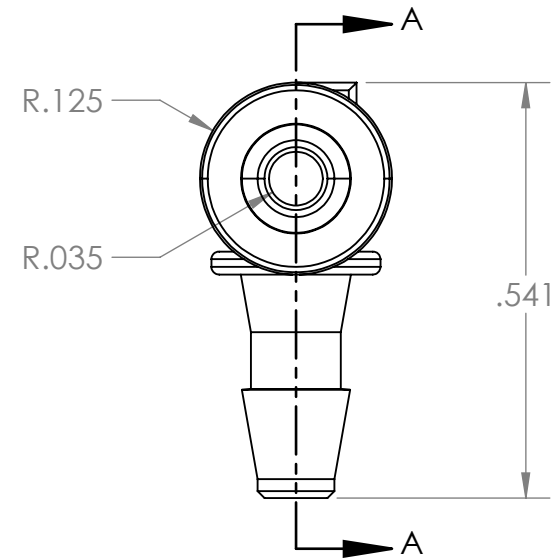
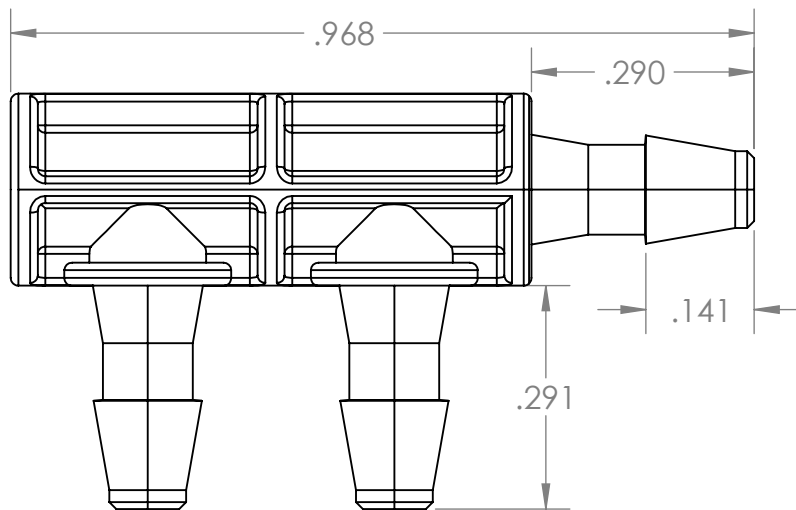
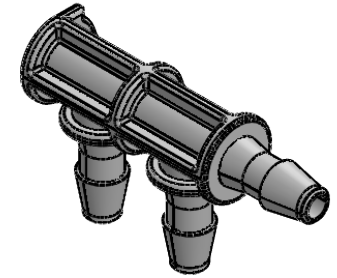


SECTION A-A



PROPRIETARY AND CONFIDENTIAL

Description

THE INFORMATION CONTAINED IN THIS DRAWING IS THE SOLE PROPERTY OF INDUSTRIAL SPECIALTIES MFG. AND IS MED SPECIALITES. ANY REPRODUCTION IN PART OR AS A WHOLE WITHOUT THE WRITTEN PERMISSION OF INDUSTRIAL SPECIALTIES MFG. AND IS MED SPECIALITES IS PROHIBITED.

3/32" Hose Barb "F" Connector,
High Pressure Barb Style,
Polypropylene

NAME	DATE
M.E.	3.15.2021

SHEET 1 OF 1

SCALE: 4:1

DO NOT SCALE DRAWING

PART#
BDCE-332HP-PP

REV
1



industrialspec.com | 800-781-8486