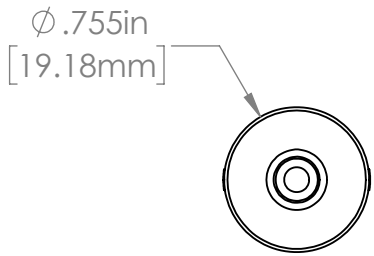
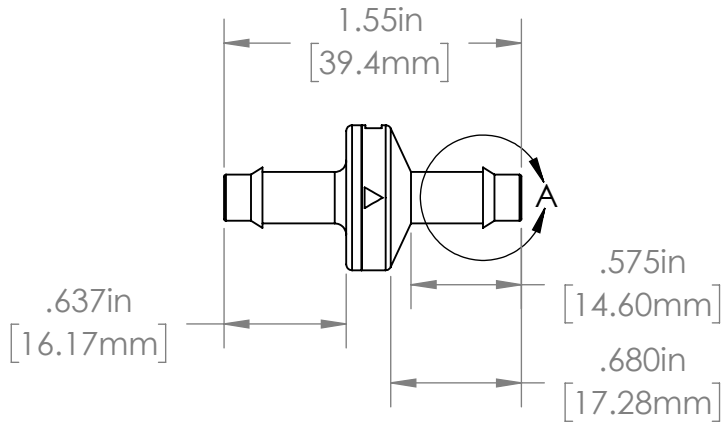
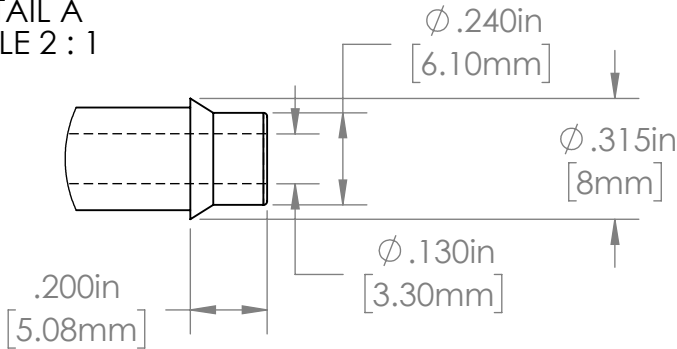


DETAIL A
SCALE 2 : 1



FOR REFERENCE ONLY

PROPRIETARY AND CONFIDENTIAL	Description		NAME	DATE	PART#	REV
The information contained in this drawing is for reference only and remains the sole property of Industrial Specialties Mfg, Inc and IS Med Specialties (collectively "ISM"). Any reproduction in part or as a whole without the written permission of ISM is prohibited.	1/4" Hose Barb Diaphragm Check Valve, High Retention Barb Style, Neoprene Diaphragm, Automotive Grade Nylon Body, Natural Nylon Inlet and Black Nylon Outlet	DRAWN BY:	M.E.	9.15.2025	AP595	1
		SHEET 1 OF 1			 Industrial Specialties Mfg. & IS Med Specialties	
		SCALE: 1:1				
		DO NOT SCALE DRAWING All Dimensions are in Inches			industrialspec.com 720-729-2202	